



Leica CM3050 S

Cryostat



Instructions for Use

Leica CM3050 S – Cryostat, V 1.7, English - 08/2014

Order no.: 14 0443 80101 RevC

Always keep this manual near the instrument.

Read carefully prior to operating the instrument.



Important note

The information, numerical data, notes and value judgments contained in this manual represent the current state of scientific knowledge and state-of-the-art technology as we understand it following thorough investigation in this field.

We are under no obligation to update the present manual periodically and on an ongoing basis according to the latest technical developments, nor to provide our customers with additional copies, updates etc. of this manual.

For erroneous statements, drawings, technical illustrations, etc. contained in this manual we exclude liability as far as permissible according to the national legal system applicable in each individual case. In particular, no liability whatsoever is accepted for any financial loss or consequential damage caused by or related to compliance with statements or other information in this manual.

Statements, drawings, illustrations and other information as regards contents or technical details of the present manual are not to be considered as warranted characteristics of our products. These

are determined only by the contract provisions agreed between ourselves and our customers.

Leica reserves the right to change technical specifications as well as manufacturing processes without prior notice. Only in this way is it possible to continuously improve the technology and manufacturing techniques used in our products. This document is protected under copyright laws. Any copyrights of this document are retained by Leica Biosystems Nussloch GmbH.

Any reproduction of text and illustrations (or of any parts thereof) by means of print, photocopy, microfiche, web cam or other methods – including any electronic systems and media – requires express prior permission in writing by Leica Biosystems Nussloch GmbH.

For the instrument serial number and year of manufacture, please refer to the name plate at the left side of the instrument.

© Leica Biosystems Nussloch GmbH



Leica Biosystems Nussloch GmbH

Heidelberger Str. 17 - 19

D-69226 Nussloch

Germany

Phone: +49 6224 143-0

Fax: +49 6224 143-268

Internet: <http://www.leica-microsystems.com>

Table of Contents

1.	Important information	7
1.1	Symbols used in this manual and their meaning.....	7
1.2	Designated use	8
1.3	Qualification of personnel.....	8
2.	Safety	9
2.1	General information on instrument design and safe handling.....	9
2.2	Integrated safety devices	9
2.2.1	Locking the handwheel	10
2.2.2	Centering the handwheel grip.....	10
2.2.3	Emergency stop function (instruments with sectioning motor only).....	11
2.2.4	Knife guard	11
2.3	Safety instructions: handling and operation of the instrument	12
2.3.1	Transport.....	12
2.3.2	Site requirements	12
2.3.3	Electrical connections.....	12
2.3.4	Handling microtome knives/blades	13
2.3.5	Knife guard/handwheel lock.....	13
2.3.6	Motorized sectioning	13
2.3.7	Defrosting/Handling frozen tissue	13
2.3.8	Frozen parts of the instrument and frozen accessories	13
2.3.9	Infectious/radioactive material.....	14
2.3.10	Disinfection and cleaning	14
2.3.11	Removing/reinstalling the microtome	15
2.3.12	Display message 'Dry microtome'	15
2.3.13	Maintenance	15
3.	Installation.....	16
3.1	Site requirements	16
3.1.1	General site requirements	16
3.1.2	Electrical connections.....	16
3.2	Unpacking and installation	16
3.2.1	Repacking	16
3.3	Standard delivery	17
3.4	Installing/inserting accessories.....	19
3.4.1	Installing the handwheel.....	19
3.4.2	Inserting the accessories	19
3.4.3	The footswitch	20
3.5	Prior to switching on the instrument.....	20

4.	Instrument Properties	21
4.1	Overview	21
4.2	Technical Data.....	23
5.	Operation.....	25
5.1	Operating the instrument for the first time	25
5.2	Switching on/fuses.....	26
5.3	Control panel 1	27
5.3.1	Key functions in control panel 1.....	27
5.3.2	Display functions in control panel 1	27
5.3.3	Display indications when switching on	28
5.3.4	Menu functions: setting parameters of refrigeration, time and preset counter.....	29
5.3.5	Status display	32
5.3.6	Indication of refrigeration state, section thickness setting and counters.....	33
5.4	Control panel 2.....	34
5.4.1	Selecting a sectioning mode / start and stop sectioning	35
5.4.2	Setting the sectioning window.....	36
5.4.3	Selecting sectioning speed	37
5.4.4	Emergency stop	37
5.4.5	Coarse feed keys	38
5.4.6	Trimming and sectioning functionsswitching between trimming and sectioning.....	39
5.4.7	Setting the section thickness	39
5.5	Daily operation of the instrument	40
5.5.1	Freezing specimens onto specimen discs with quick-freeze shelf and stationary heat extractor.....	40
5.5.2	Freezing specimens onto specimen discs with 90 ° prism (Instruments w/specimen cooling only)	41
5.5.3	Optional accessories for freezing specimens onto specimen discs and for removing frozen specimens	41
5.5.4	Inserting specimen discs into the specimen head	42
5.5.5	Specimen orientation.....	42
5.5.6	Trimming / sectioning	43
5.6	Finishing work	44
5.6.1	Daily routine steps.....	44
5.6.2	Switching off the instrument for a longer period of time	44
5.7	Defrosting	45
5.7.1	Automatic chamber defrost cycle	45
5.7.2	Manual chamber defrost cycle.....	46
5.7.3	Defrosting the specimen head (instruments with specimen cooling only)	46

Table of contents


6.	Troubleshooting, applications tips	47
6.1	Displayed error messages	47
6.1.1	Other error indications	47
6.2	Potential problems - causes and remedies	48
6.3	Reference chart for temperature settings (in minus °C).....	52
7.	Disinfection, cleaning and maintenance	53
7.1	Safety instructions on disinfection and cleaning.....	53
7.2	Spray disinfection with Leica Cryofect.....	53
7.3	Disinfection with conventional disinfectants	54
7.4	Cleaning	54
7.5	Removing / reinstalling the microtome	55
7.5.1	Removing the microtome	55
7.5.2	Disassembling the specimen head (instruments w/specimen cooling only)	55
7.5.3	Reinstalling the microtome	56
7.6	Exchanging the fluorescent light lamp	57
8.	Warranty and service	58
9.	Appendix	59
9.1	Electrohydraulic height adjustment	59
9.1.1	Designated use	59
9.1.2	Standard delivery	59
9.1.3	Safety instructions	59
9.1.4	Installation	60
9.1.5	Control keys	61
9.1.6	Maintenance and care	61
9.1.7	Troubleshooting.....	61
9.1.8	Technical Data	61
9.2	Ordering information - accessories	62
10.	Decontamination Certificate (master)	64
11.	Information for the People´s Republik of China.....	66

1.1 Symbols used in this manual and their meaning



Warnings appear in a grey box and are marked by a warning triangle .



Notes i.e. important user information appears in a grey box and is marked by an information  symbol.

(5)
(Fig. 5) **Figures in brackets refer to item numbers in drawings or to the drawings themselves.**



This product fulfills the requirements of the Council's Directive 98/79/EC concerning in vitro diagnostics (IVD) medical devices.



Serial number



Order No.



Observe the Instructions for Use



Manufacturer



Date of Manufacture



In vitro diagnostics (IVD) medical device



Symbol for labeling electrical and electronic equipment in accordance with Section 7 of the German Electrical and Electronic Equipment Act (ElektroG). ElektroG is the law regarding the sale, return and environmentally sound disposal of electrical and electronic equipment.



The CSA test mark means that a product has been tested and fulfills the applicable safety and/or performance standards, including the relevant standards defined or administered by the American National Standards Institute (ANSI), Underwriters Laboratories (UL), the Canadian Standards Association (CSA), the National Sanitation Foundation International (NSF) and others.



Environmental protection symbol of the China RoHS directive. The number in the symbol indicates the "Environment-friendly Use Period" of the product. The symbol is used if a substance restricted in China is used in excess of the maximum permitted limit.

1. Important information

General

This instruction manual includes important instructions and information related to the operating safety and maintenance of the instrument.

The instruction manual is an important part of the product. It must be read carefully before using the instrument for the first time and must always be kept with the instrument.

If additional requirements, which exceed the scope of this manual, are imposed by regulations and/or laws on accident prevention and environmental protection in the country of operation, appropriate instructions for compliance with such requirements must be added to this manual.

Read this instruction manual carefully before attempting to use or operate the instrument.



Please pay particular attention to chapter 2 (safety features, safety instructions). - Please read this information, even if you are already familiar with the operation and use of other Leica products.

Instrument type:

All information given in this instruction manual applies only to the instrument type indicated on the title page.

A name plate, indicating the instrument serial number, is attached to the back of the instrument.

The figure of the type nameplate shown below is provided as an example only and shows a valid nameplate for this instrument with the necessary information about instrument type and power requirements. Precise data for the various versions is specified in Chapter 4.2 "Technical Data".

Required information for all inquiries:

For any inquiries please specify:

- Instrument type
- Serialnumber



1.2 Designated use

The Leica CM3050S is a powerful cryostat for routine as well as research applications in biology, medicine and industry.

The instrument has been designed for rapid freezing and sectioning of tissue samples.

The instrument has not been designed for unattended storage of tissue material.

The instrument may only be operated within the scope of its designated use as described above and as per the instructions given in this manual.

Any other use of the instrument is considered improper.

1.3 Qualification of personnel

The Leica CM3050S may only be operated by trained laboratory personnel.

All laboratory personnel designated to operate the instrument must carefully read the present instruction manual prior to starting work with the instrument.

2.1 General information on instrument design and safe handling

This instrument has been built and tested in accordance with the following safety regulations on electrical measuring, control, regulating and laboratory devices.

For current information about applicable standards, please refer to the CE declaration of conformity on our Internet site:

www.leica-microsystems.com

In order to maintain this condition and to ensure safe operation, the operator must observe the instructions and warnings contained in this instruction manual.

2.2 Integrated safety devices

The instrument is equipped with the following safety devices:

- Handwheel lock
- Handwheel grip centering
- Emergency stop function
(instruments with sectioning motor only)
- Knife holder equipped with knife guard

The safety devices installed by the manufacturer of the instrument only constitute the basis of accident prevention.

Mainly responsible for accident-free operation is above all the institution which owns the instrument and, in addition, the designated personnel who operate, service or repair the instrument.

2. Safety

2.2.1 Locking the handwheel

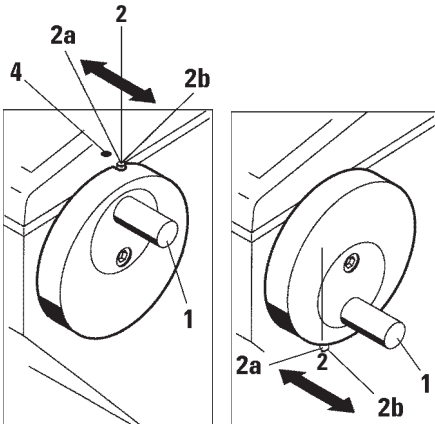


Always cover the cutting edge with the knife guard and lock the handwheel:

- **Prior to doing any work on knife and/or specimen.**
- **Prior to exchanging specimens.**
- **During work breaks.**

The handwheel can be locked in 2 positions:

- with the grip in the uppermost position (left),
- with the grip in the lowest position (right).



Locking:

- Rotate handwheel, until grip (1) is in upper or lower position.
- To lock, press pin (2) to the right into position (2b).

--> The upper locking position for pin (2) is marked by a black dot (4).

Instruments with sectioning motor:

The sectioning motor is now blocked.

All instruments:

The message 'LOCKED' in the display of control panel 1 indicates that the handwheel has been locked:

C	T	-	3	0	°	C			O	T	-	3	5	°	C
						L	O	C	K	E	D				

Unlocking:

- To unlock, push locking pin (2) to the left into position (2a).
- Display indication 'LOCKED' disappears.

Instruments with sectioning motor:

The sectioning motor can now be activated again.

2.2.2 Centering the handwheel grip

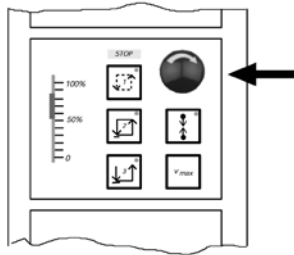


During motorized sectioning, for safety reasons always center the handwheel grip!

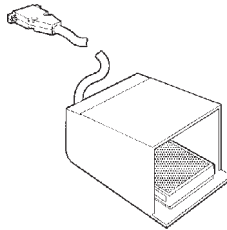
- To center grip (1), pull outwards and pivot into center of handwheel.
- When released, the grip locks into position.

2.2.3 Emergency stop function (instruments with sectioning motor only)

The emergency stop is activated via the red emergency stop button in control panel 2 or via the footswitch



Control panel 2



Footswitch

Activating the emergency stop function

- Press emergency stop button or step on footswitch forcefully.
--> **STOP** STOP (red) lights up.

As soon as the emergency stop function is activated, the sectioning motor stops.

Deactivating the emergency stop

- To deactivate, rotate emergency stop button in direction of arrow.



If the emergency stop function has been activated by the footswitch, unlocking is not necessary (function is unlocked as soon as the footswitch is released).

2.2.4 Knife guard

All knife holders are equipped with a knife guard (--> see separate instruction manuals on knife holders).



Always cover the cutting edge with the knife guard:

- Prior to doing any work on knife and/ or specimen.
- Prior to exchanging specimens.
- During work breaks.

2. Safety

2.3 Safety instructions: handling and operation of the instrument

2.3.1 Transport

- To avoid severe damage to the instrument by running it while the compressor oil is displaced from its regular position:
 - Do not tilt the instrument, only transport in an upright position.
 - After transport, wait at least 4 hours before turning the instrument on.

-->The compressor oil may have been displaced during transport and must settle to its original position before switching the instrument on. Otherwise, the instrument may be severely damaged.

2.3.2 Site requirements

- Do not operate the instrument in rooms with explosion hazard.
- To ensure proper instrument function maintain a minimum distance of 10 cm between walls and/or furniture and all sides of the instrument!

2.3.3 Electrical connections

- Do not use extension cords for connecting the instrument to mains.
 - >Fire hazard!
 - >Instrument malfunctions caused by voltage drop.
- During the start-up phase of the compressor, the nominal voltage must not drop below the values specified in chapter 4.2 'Technical data'!
 - >The compressor needs a start-up current at between 25 and 35 A (see chapter 4.2 'Technical data')
- Ensure uniform current supply according to specifications.
 - >Electrical power supply deviating from specifications damages the instrument.
 - Therefore, arrange for the electrical installations on site to be checked by a trained professional and make sure any necessary upgrades are installed!
 - Have the circuit protected by a fuse of its own!
 - Do not connect any other consumers to the same circuit.
 - Prior to connecting the instrument to mains, make sure the electrical power supply in your laboratory corresponds to the values indicated on the instrument nameplate (located at the rear of the instrument)!

2.3.4 Handling microtome knives/blades

- Danger!
-->Microtome knives and disposable blades have extremely sharp cutting edges and can cause serious injuries. Therefore:
 - Handle knives / blades with utmost care.
 - Never leave any knives / blades in unprotected places!
 - Never place a knife, no matter where, with the cutting edge facing upwards.
 - Never try to catch a falling knife.
 - Always insert the specimen before inserting the knife.

2.3.5 Knife guard/handwheel lock

- Always cover the cutting edge with the knife guard and lock the handwheel:
 - Prior to doing any work on knife and / or specimen.
 - Prior to exchanging specimens.
 - During work breaks.

2.3.6 Motorized sectioning

- Do not interrupt sectioning / trimming by setting the sliding potentiometer to zero speed!
-->This does not really switch the sectioning function off - it only operates at '0' speed. If the sliding potentiometer is accidentally moved, the instrument will resume sectioning immediately (risk of injury)!
- During motorized sectioning, always center the handwheel grip!

2.3.7 Defrosting/Handling frozen tissue

- Never leave specimens unattended in the cryochamber over an extended period of time!
-->In case of power failure or instrument failure, or during the automatic defrost cycle, tissue material can be destroyed.
- During the defrost cycle the cryochamber is partially warmed. - Therefore:
 - Remove sensitive specimens from the chamber prior to defrosting.
 - If automatic defrosting is programmed to take place during the night, remember to remove all specimens from the cryochamber prior to leaving work.

2.3.8 Frozen parts of the instrument and frozen accessories

- Prolonged contact of bare skin to frozen surfaces of the instrument or to frozen accessories (specimen discs, knife holder, shelves etc.) can cause frostbite.
 - Wear protective gloves.

2. Safety

2.3.9 Infectious/radioactive material

- Danger!
Use caution when working with potentially infectious specimens:
-->Risk of infection!
- When working with potentially infectious / radioactive specimens:
 - Wear protective clothes (gloves, protective boots, mask, lab coat), in compliance with radiation safety regulations and/or in-house regulations on handling infectious / radioactive material.
- When working with radioactive specimens:
 - Comply with applicable radiation safety regulations!
 - Dispose of radioactive specimen waste according to applicable regulations.

2.3.10 Disinfection and cleaning

- Prior to disinfection, switch the instrument off and unplug it from mains.
- For removal of the microtome from the cryo-chamber see chapter 2.3.11 'Removing the microtome'.
- For disinfection, wear protective gear: (gloves, mask, lab coat etc.)!
- For disinfection, only use alcohol-based disinfectants!
- Do not use solvents (xylene, acetone etc.) for cleaning or disinfection!
- Do not spray disinfectants into the evaporator!
--> Risk of icing!
- Explosion hazard when working with alcohol: Make sure the premises are appropriately ventilated!
- When using disinfectants and detergents, comply with all safety instructions supplied by the manufacturer of the product!
- Dispose of waste liquids from disinfection/cleaning as well as of sectioning waste according to applicable regulations on disposal of special category waste!
- Disinfected accessories must be thoroughly dry when reinserting them into the chamber!
--> Risk of icing!
- Make sure the chamber is completely dry before switching the instrument back on:
--> Explosion hazard through alcohol vapors!
--> Risk of icing!

2.3.11 Removing/reinstalling the microtome

- Before removing the microtome:
- Switch instrument off.
- Unplug from mains.
- Place handwheel grip in lowest position and lock.

-->When removing the microtome, the specimen head must always be locked in the lowest position. Otherwise the upper part of the slot cover might be bent and consequently damaged!

- When removing the microtome:
 - Wear gloves when removing the microtome while it is still frozen.

-->Risk of frost bite!

- On instruments with specimen cooling: do not distort the refrigerating tube!
If distorted it might break, causing extremely cold refrigerant to escape.
-->Risk of frost bite!

- Before reinstalling the microtome:
 - Microtome must be completely dry.
-->Humidity in the interior of the microtome freezes and causes microtome malfunctions and/or damage to the microtome.
 - All accessories/tools removed from the cryochamber must be thoroughly dry before putting them back into the chamber!

-->Risk of icing!

2.3.12 Display message 'Dry microtome'

- If the error message 'Dry Microtome' is displayed in control panel 1, the following has happened:
 - Cryochamber refrigeration has been interrupted for an extended period of time (e.g. power failure), causing the chamber temperature to rise into the positive digits.
 - If this message appears, do not switch on the instrument but remove the microtome from the chamber, disinfect, if necessary, and dry thoroughly before reinstalling it into the chamber (see chapter 7.1 to 7.5).

2.3.13 Maintenance

- Only technical service engineers authorized by Leica may access the internal components of the instrument for service and repair.
- The fluorescent light lamp (chamber illumination), unless broken or splintered, can be replaced by the user:
 - Switch off mains switch!
 - Unplug the instrument from mains!
 - If the lamp is broken or splintered: Have lamp replaced by Leica Technical Service!
--> Risk of injury!
- Use only those replacement lamps that correspond to technical specification (see chapter 4.2 'Technical Data').

3. Installation

3.1 Site requirements



Make sure to read and follow all safety instructions in chapter 2.3.2 'Site requirements'!

3.1.1 General site requirements

- No direct sunlight.
- Electrical power supply within distance (length of power cord = approx. 4 meters - do not use extension cords!).
- No draft (caused by air conditioning etc.).
- Even floor surface.
- Practically vibration-free floor.
- Handwheel easily accessible.
- Room temperature constantly below +22 °C.
- Relative humidity of air maximum 60 %.



High ambient temperature and/or high air humidity negatively affect instrument cooling performance!

3.1.2 Electrical connections



Make sure to read and follow all safety instructions in chapter 2.3.3 'Electrical connections'!

3.2 Unpacking and installation

Unpacking instructions are always located in a transparent protective envelope on the outside of the instrument shipping crate.



Make sure to read and follow all safety instructions provided in chapter 2.3.1 'Transport' and on the unpacking instructions!

3.2.1 Repacking

We recommend to keep the original shipping crate and the unpacking instructions for the Leica CM3050 S.

For repacking, proceed as per unpacking instructions, in reverse order.

Available models

- Basic instrument
 - with sectioning motor
 - without specimen cooling
- Basic instrument
 - without sectioning motor
 - with specimen cooling
- Basic instrument
 - with sectioning motor
 - with specimen cooling

3.3 Standard delivery

	Basic instrument	
1	Handwheel with marking, antibacterial	14 0471 42558
1	Adapter cable EU-BR 16A	14 0411 47993
1	Heat extractor, stationary.....	14 0369 11197
1	Low-temperature stabilizer for heatextractor.....	14 0452 27919
1	90° prism for direct specimen freezing on specimen head with clamping screw to facilitate specimen trimming	14 0443 25949
1	Set of specimen discs	14 0470 43550
	- 4 Specimen discs, 25mm	14 0416 19275
	- 4 Specimen discs, 30mm	14 0370 08587
1	Storage shelf, right	14 0443 25723
1	Storage shelf, left.....	14 0443 33549
1	Section waste tray	14 0400 26817
1	Foot switch with protective guard	14 0505 33888
1	Rubber mat.....	14 0443 25732
1	Freezing shelf cover	14 0443 30783
1	Brush shelf	14 0398 13088
1	Tool set	14 0436 43463
	-1 Brush, fine.....	14 0183 28642
	-1 "Leica" brush w/magnet	14 0183 40426
	-1 Allen key, size 1.5.....	14 0222 10050
	-1 Allen key, size 2.5.....	14 0222 04137
	-1 Allen key, size 3.0.....	14 0222 04138
	-1 Allen key, size 4.0.....	14 0222 04139
	-1 Allen key with spherical head, size 4.0	14 0222 32131
	-1 Allen key, size 5.0.....	14 0222 04140
	-1 Allen key with handle, size 5.0.....	14 0194 04760
	-1 Allen key, size 6.0.....	14 0222 04141
	-1 Single-head wrench, size 13.....	14 0330 33149
	-1 Single-head wrench, size 16.....	14 0330 18595
1	Bottle of OCT-Compound, mounting medium for cryosectioning, 125ml.....	14 0201 08926
1	Bottle of cryostat oil, type 407, 50ml	14 0336 06098
1	Pair of cut resistant gloves, size S	14 0340 40859
1	Instruction manual Leica CM3050 S (+ language-CD)	14 0443 80001

3. Installation

In addition to the above:

- Instruments with specimen cooling:
 - 1 90° Prism for low temperature quick freezing
- Configured instruments:
 - 1 Knife holder base
 - 1 Knife holder with accessories
- Instruments with sectioning motor:
 - 1 Footswitch with protective guard

Further accessories:

Further accessories which you ordered will be included in the box containing the standard delivery items.



Knife holders are delivered with anti-roll guide, knife guard, and a separate instruction manual.

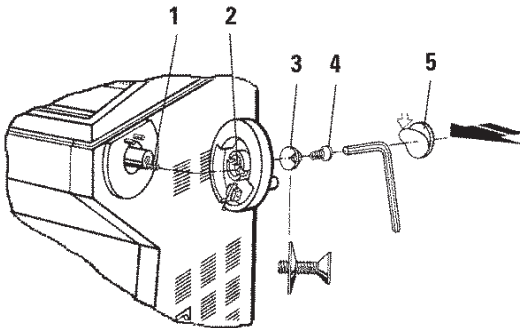
In case of non-configured instruments, the knife holder is not a part of standard delivery but must be ordered separately.

- Check all delivered parts against the packing list and against your order to verify whether the delivery is complete!
If there is any difference, contact your local Leica office immediately.

3.4 Installing/inserting accessories

3.4.1 Installing the handwheel

- Insert pin (1) of the handwheel shaft into hole (2).
- Place spring washer (3) onto screw (4) as shown.
- Tighten screw (4) with an Allen key.
- Cover with selfadhesive disc (5).



For purposes of transport (e.g. narrow doors), the handwheel can be removed.

- To remove the handwheel, proceed as described above but in reverse order.

3.4.2 Inserting the accessories

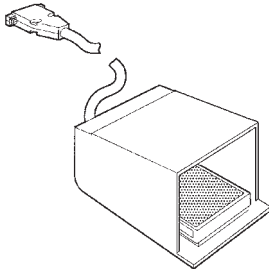
- Place the rubber mat on top of the housing.
- Insert the storage shelves into the cryochamber.
- Install the stationary heat extractor into the quick-freeze shelf (see also drawing in chapter 5.5.1 'Freezing specimens onto specimen discs').
- Insert the low temperature stabilizer into the quick freeze shelf (it must be located in the pivoting range of the heat extractor - see also drawing in chapter 5.5.1 'Freezing specimens onto specimen discs').
- Insert section waste tray and brush shelf.
- Install knife holder base onto microtome base plate and clamp.
- Install knife holder and clamp (see knife holder instruction manual for details).
- Place knife case with knife into chamber to precool.
- Place all tools needed for section preparation into the chamber.
- Close the sliding window.



For a complete overview of all individual parts:
--> see Chapter 4.1 'Overview'.

3. Installation

3.4.3 The footswitch



Function

The footswitch performs the same task as the **RUN/STOP** and **RUN/ENABLE** keys (activating/deactivating motorized sectioning / trimming). In addition, the footswitch can be used to activate the emergency stop function.

Models with footswitch:

All instruments with sectioning motor.

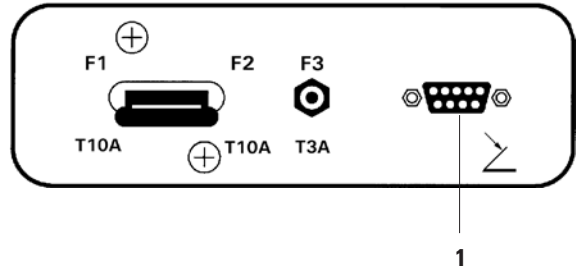


Important note:

In all instrument models that are delivered with footswitch, the footswitch must be installed! - Otherwise the instruments are not functional.

Connecting the footswitch

- Insert footswitch into port (1) and secure.



3.5 Prior to switching on the instrument



After transport, observe a waiting period of at least 4 hours before turning the instrument on! - See also safety instructions in chapter 2.3.1 'Transport'.



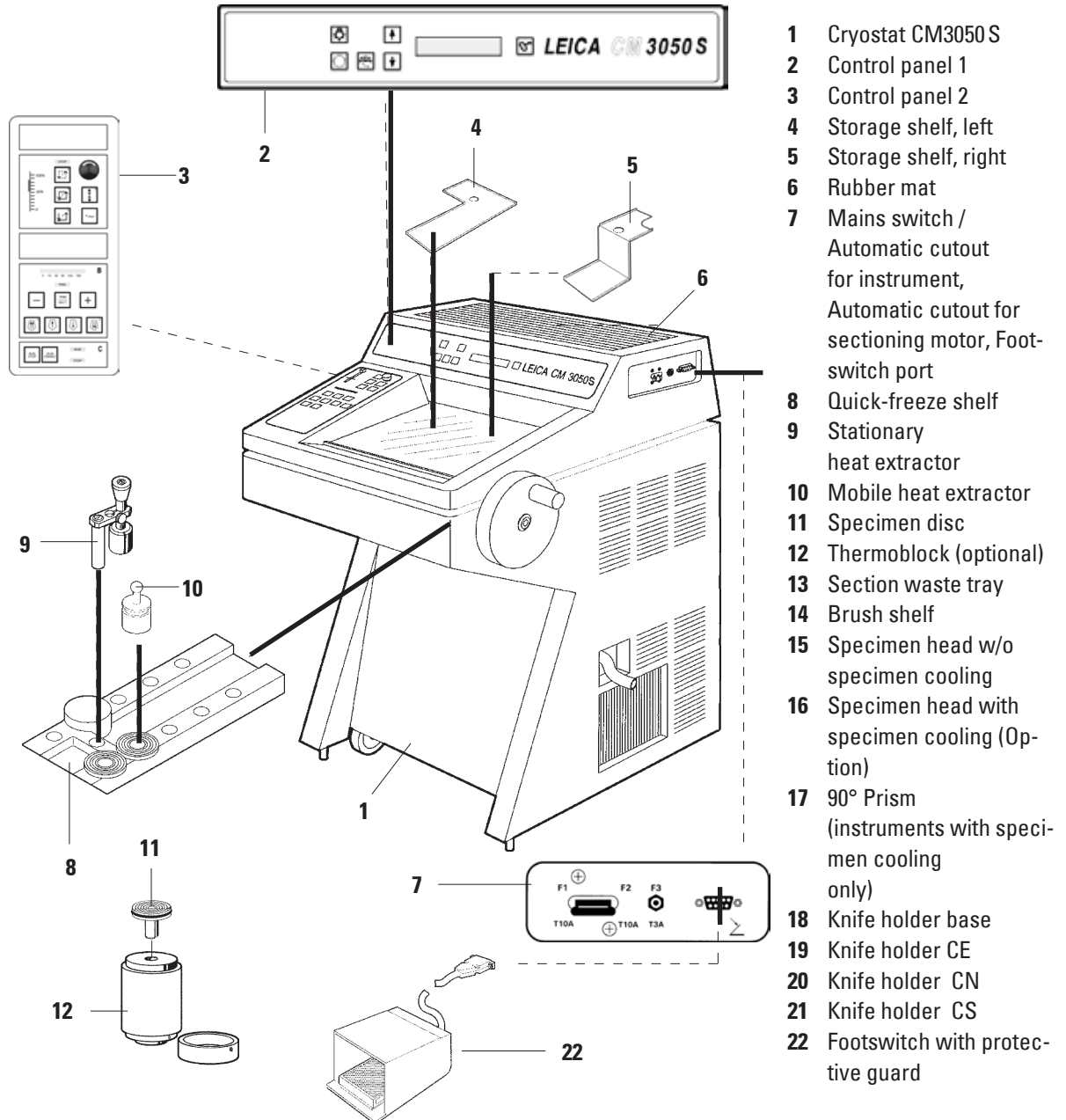
Have you observed all safety instructions in chapters 2.3.2 'Site requirements' and 2.3.3 'Electrical connections'?

If not:

--> Please read chapters 2.3.2 and 2.3.3!

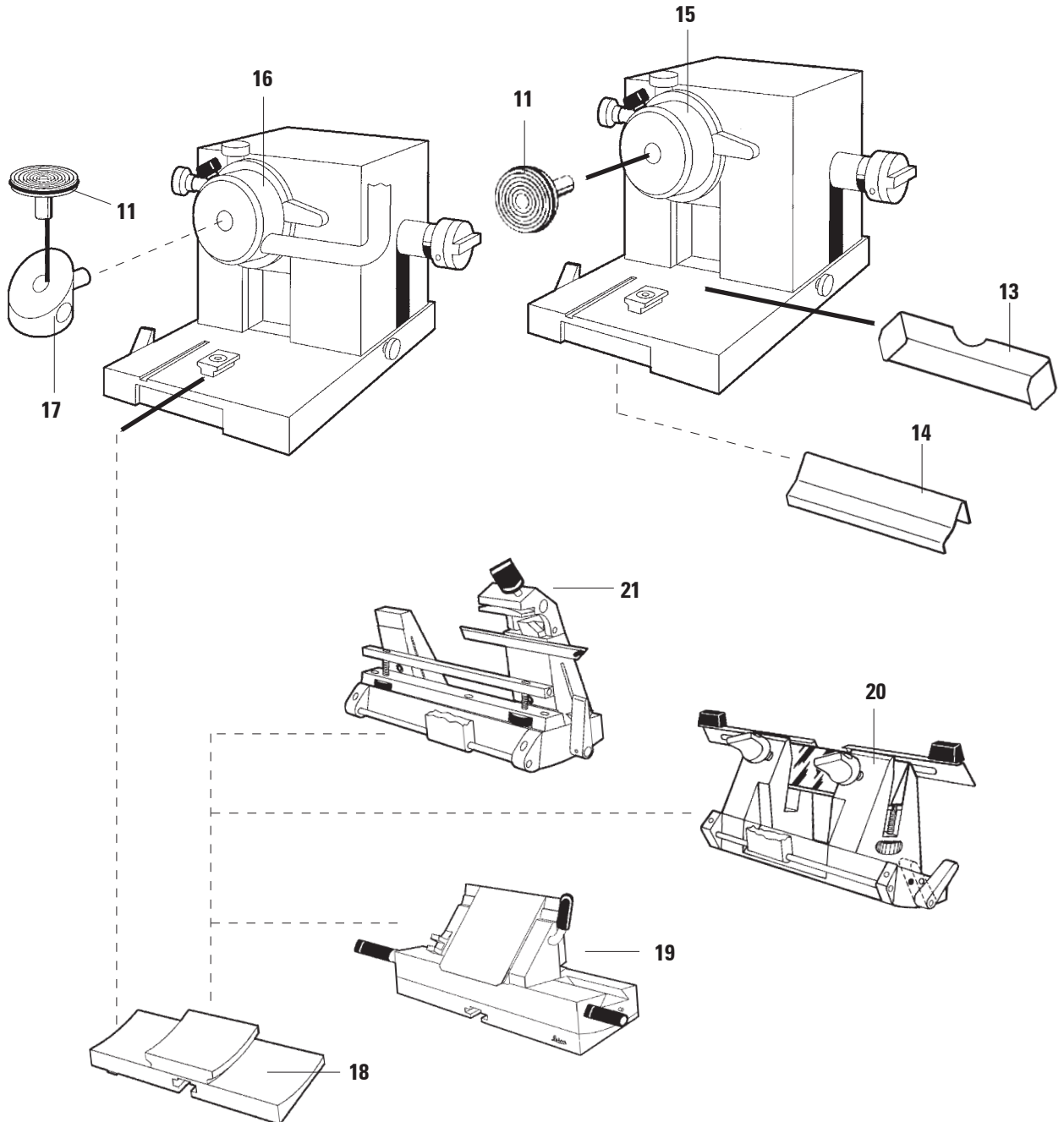
- Insert mains plug into wall outlet.
- Continue with chapter 5.1 'Setting up the instrument'.

4.1 Overview



- 1 Cryostat CM3050 S
- 2 Control panel 1
- 3 Control panel 2
- 4 Storage shelf, left
- 5 Storage shelf, right
- 6 Rubber mat
- 7 Mains switch / Automatic cutout for instrument, Automatic cutout for sectioning motor, Foot-switch port
- 8 Quick-freeze shelf
- 9 Stationary heat extractor
- 10 Mobile heat extractor
- 11 Specimen disc
- 12 Thermoblock (optional)
- 13 Section waste tray
- 14 Brush shelf
- 15 Specimen head w/o specimen cooling
- 16 Specimen head with specimen cooling (Option)
- 17 90° Prism (instruments with specimen cooling only)
- 18 Knife holder base
- 19 Knife holder CE
- 20 Knife holder CN
- 21 Knife holder CS
- 22 Footswitch with protective guard

4. Instrument Properties



4.2 Technical Data



Operating temperature range (ambient temperature): + 18°C to + 40°C. All specifications related to temperature are valid only up to an ambient temperature of + 22°C and relative air humidity of less than 60%!

Type	CM3050S-10	CM3050S-1	CM3050S-8	CM3050S-9
Marks of conformity	-	-	-	-
Nominal voltage	100 V AC ±10%	230 V AC ±10%	240 V AC ±10%	100 V AC ±10%
Nominal frequency	50 Hz	50 Hz	50 Hz	60 Hz
Power draw	1800 VA	1800 VA	1800 VA	1800 VA
Max. start-up current for 5 sec	35 A eff.	25 A eff.	25 A eff.	30 A eff.
Protective fuse	I	I	I	I
Automatic cutout	T15A M3	T10A T1	T10A T1	T15A M3
Pollution degree ^①	2	2	2	2
Overvoltage installation category	II	II	II	II
Heat emission (max.)	1800 J/s	1800 J/s	1800 J/s	1800 J/s

Refrigeration system	50 Hz	60 Hz
Cryochamber		
Temperature selection range	0°C to -40°C (+ 3 K / - 0 K)	0°C to -40°C (+3 K / - 0 K)
Defrosting	Automatic hot-gas defrost cycle, programmable in 15-min increments; 1 automatic defrost cycle per 24 hours. Duration: 6 - 12 minutes Manual defrost cycle	Automatic hot-gas defrost cycle, programmable in 15-min. increments; 1 automatic defrost cycle per 24 hrs. Duration: 6 - 12 minutes Manual defrost cycle
Refrigeration capacity ^②	690 W	690 W
Safety factor	3	3
Refrigerant	280 g ±5g refrigerant R 404A *	280 g ±5g refrigerant R 404A *
Compressor oil	0.6 l EMKARATE RL-22S, ICI *	0.6 l EMKARATE RL-22S, ICI *
Quick-freeze shelf		
Maximum temperature	- 43°C (+ 0 K / - 2 K)	- 43°C (+ 0 K / - 2 K)
Number of quick-freeze stations	10	10
Specimen cooling (Option)		
Temperature range	-10° C to -50°C ±3K	-10° C to -50°C ±3K
Defrosting	Manual defrost cycle (electric)	Manual defrost cycle (electric)
Refrigeration capacity ^②	320 W	320 W
Safety factor	3	3
Refrigerant	185 g ±5g refrigerant R 404A *	185 g ±5g refrigerant R 404A *
Compressor oil	0.4 l alpha 22, Kyodo * or RENISO E22, Fuchs *	0.4 l alpha 22, Kyodo * or RENISO E22, Fuchs *

4. Instrument properties



***) Refrigerant and compressor oil to be replaced only by trained and authorized service personnel!**

CM3050S-3

c-UL
120 V AC $\pm 10\%$
60 Hz
1800 VA
35 A eff.
I
T15A T1
2
II
1800 J/s

CM3050S-7

-
230 V AC $\pm 10\%$
60 Hz
1800 VA
25 A eff.
I
T10A T1
2
II
1800 J/s

Fluorescent light lamp (cryochamber illumination):

50 Hz version: Osram Dulux S 11 W/21
Light color 'LUMILUX hellweiß'
(brilliant white)
60 Hz version: Osram Dulux S 13 W/21
Light color 'LUMILUX hellweiß'
(brilliant white)

Cryocabinet

Dimensions

Width (w/o handwheel)	800 mm
Width (including handwheel)	882 mm
Depth	766 mm
Height (arm rest level)	840 mm
Overall height	1040 mm

Weight

(incl. microtome, w/o specimen cooling) ca. 180 kg

Microtome

Rotary microtome	
Section thickness setting	0.5 - 300 μm
Overall specimen feed	25 mm
Vertical stroke	59 mm
Specimen retraction	50 μm
Maximum specimen size	40 x 55 mm
Specimen orientation	8° (x-, y-, z-axis)
Trimming (6 thickness settings)	5 - 150 μm
Motorized coarse feed	
- slow	500 $\mu\text{m/s}$
- fast	1,000 $\mu\text{m/s}$

Sectioning motor (Option):

Sectioning speed	
- slow	min. 0.1 mm/s max. 100 mm/s v_{max} 210 mm/s
- fast	min. 0.1 mm/s max. 170 mm/s v_{max} 210 mm/s

① according to IEC-1010, UL 3101

② according to CECOMAF:
Liquid temperature 45°C
Evaporation temperature -25°C

5.1 Operating the instrument for the first time

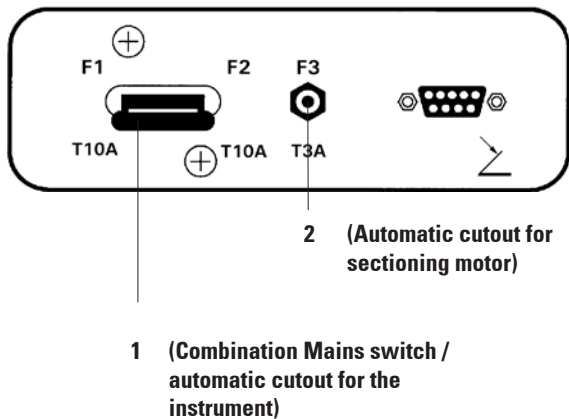
Prior to setting up the instrument, make sure to read the instruction manual carefully and in full.

When setting up the instrument, please follow the individual chapters in the following order:

- First, study chapters 1, 2, and 3 - install the instrument as described in chapter 3.
The overview in chapter 4.1 is helpful during the unpacking and installation procedure in order to identify individual parts and place them in the correct location.
- Go on to chapter 5.
Read chapters 5.1, 5.2, 5.3 and 5.4 to learn all about the controls.
- Next, start to work with the instrument (chapter 5.5). Follow the instructions in chapter 5.5.
Chapter 5.5.2 applies to instruments with specimen cooling only.
The temperature chart in chapter 6.3 is useful when it comes to selecting appropriate sectioning temperatures for different types of specimens.
- When disinfecting / cleaning the instrument and/or removing / reinstalling the microtome, please follow the instructions in chapter 7.
- In case of problems and malfunctions, please refer to chapters 6.1 and 6.2. These chapters list the most common types of problems which many times have simple causes that can be eliminated by the actual user. If you find 'Call Technical Service' in the 'Remedy' column, please do so. Never try to solve these problems yourself!

5. Operation

5.2 Switching on/fuses



1 (Combination Mains switch /
automatic cutout for the
instrument)

2 (Automatic cutout for
sectioning motor)

Switching on

- To switch on the instrument, place switch (1) in upper lock-in position.

Mains switch / automatic cutout for the instrument:

In addition to its function as **ON/OFF** switch, switch (1) is also the automatic cutout for the instrument.

If the automatic cutout has been triggered (e.g. caused by overcurrent):

- Put switch (1) back in upper lock-in position.

Automatic cutout for sectioning motor:

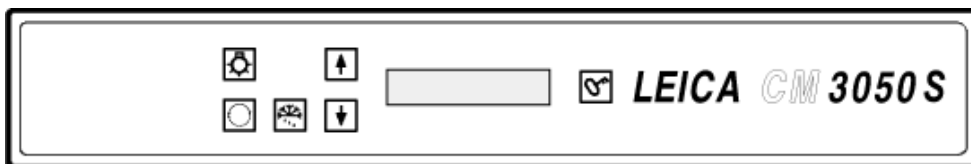
The instrument is equipped with an automatic cutout (2) for the sectioning motor.

If the sectioning motor is overloaded (e.g. when sectioning extremely hard specimens etc.) the automatic cutout (2) will be triggered.

To make the instrument functional again after the automatic cutout (2) has been triggered:

- Push automatic cutout (2) inwards until it locks into position.

5.3 Control panel 1



5.3.1 Key functions in control panel 1



ON/OFF key for cryochamber illumination.



To select the menu items for setting / changing instrument parameters.



In the status indication, pressing the arrow keys displays the individual current parameters.



In the menu, pressing the arrow keys changes set values.
As soon as a value is displayed, it is automatically stored.



Activates the manual defrost cycle (cryochamber). This key is functional only when one of the menu items 'SET TEMP CT ... °C' or 'SET TEMP OT ... °C' (last one only applies to instruments with specimen cooling) has been selected first.



Lock / unlock key:
- Locks the display to protect against accidental changes of set parameters.
- Activates / deactivates a number of functions.

5.3.2 Display functions in control panel 1

The display in control panel 1 combines several different functions:

1. When switching the instrument on:

A series of standard indications is displayed, during which two basic parameters can be selected (with the arrow keys):

Language (of display indications) and speed level of sectioning motor.

See chapter 5.3.3 'Display indications when switching on'.

2. Menu function (activated via menu key):

Via the menu key a number of parameters can be selected, then be activated /deactivated via the lock/unlock key and/or changed via the arrow keys.

See chapter 5.3.4 'Menu functions: Setting parameters of refrigeration, time and preset counter'.

3. Status indication function:

The actual status of selected parameters is indicated in the display screen.

Some of those parameters are displayed automatically (e.g. sectioning stroke phase, coarse feed position, handwheel locked).

Others can be displayed by pressing the arrow keys; e.g. selected section thickness, preset counter status etc.

See chapter 5.3.5 'Status indication' and chapter 5.3.6 'Displaying state of refrigeration, section thickness and counters'.

5. Operation

5.3.3 Display indications when switching on

Meaning of indication:

Initialization phase 1

8	8	8	8	8	8	8	8	8	8	8	8	8	8	8	8
8	8	8	8	8	8	8	8	8	8	8	8	8	8	8	8



Initialization phase 2

■	■	■	■	■	■	■	■	■	■	■	■	■	■	■	■
■	■	■	■	■	■	■	■	■	■	■	■	■	■	■	■



Software version

C	M	3	0	5	0	S	V	s	.	X	X	.	X	X	



Selected display language



Sectioning motor speed level 'slow' / (fast)



Operator activity:

Select language via



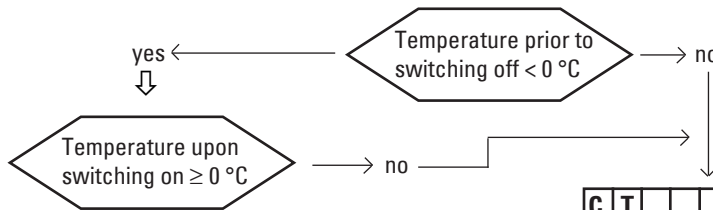
keys



Select speed level via



keys



C	T	°	C	O	T	°	C	*)



If this indication is displayed: Do not switch on the instrument!
Prior to switching on, both microtome and accessories must be completely dry!
Remove microtome/accessories, disinfect if applicable, then dry thoroughly and reinstall.
 (--> See chapters 7.1 - 7.5).

C	T	°	C	O	T	°	C	*)

Acknowledge indication by pressing once briefly.

C	T	°	C	O	T	°	C	*)

Standard indication 'locked' is displayed:
 (Display background dark)

To unlock: press until the display background lights up:



C	T	°	C	O	T	°	C	*)
■	■															

*) Indication in instruments with specimen cooling. Instruments without specimen cooling: only CT (centered) is displayed.

5.3.4 Menu functions: setting parameters of refrigeration, time and preset counter

Once the instrument has gone through the initial sequence of indications, you can go on to the menu functions to select and/or change instrument parameters.



If display is locked:
Press key until display background lights up.

Next, press the menu key. With each key stroke the following parameters will be displayed (display sequence as listed):

1. Specimen temperature
(in instruments with specimen cooling only)
(-10 - -50 °C)
2. Cryochamber temperature
(0 - -40 °C)
3. Selected number of sections - preset counter
(ON/OFF and setting selection from 1 to 999)
4. Maximum specimen temperature
(ON/OFF)
5. Real time
(in 1-minute steps)
6. Defrost time (starting time of automatic cryochamber defrosting)
(in 15-minute steps)
7. Duration of defrost cycle
(cryochamber defrosting)
(6 to 12 minutes duration)

Menu items 5 and 6 displayed on 24 hour clock.

1. Specimen temperature: (instruments with specimen cooling only)



Press key until menu item 'Set specimen temperature' is displayed:

S	E	T	T	E	M	P	O	T	-	-	-	°	C



Press key briefly.
The line in the specimen temperature field is replaced by an asterisk.

S	E	T	T	E	M	P	O	T	-	-	-	°	C
												*	



From this point on the refrigeration system is activated and the desired set temperature can be selected with one of the arrow keys.



Press arrow key and release upon reaching the desired value.

C	T	°	C			O	T	-	3	5	°	C
■	■															*

Note on the arrow key function:

Each time one of the arrow keys is pressed briefly, the value displayed in the menu will be changed one step up or down.

If an arrow key is pressed and held, the value will change continually (auto-repeat function).

When holding the key, scrolling speed will increase after a while.

As soon as a value is displayed, it is at the same time automatically stored.

5. Operation

2. Cryochamber temperature:



Press key until menu item 'Set chamber temperature' is displayed:

--> Continue as described for specimen temperature.

3. Preset counter (instruments with sectioning motor only):



Press key until menu item 'Preset counter' is displayed:

P	R	E	S	E	T	C	O	U	N	T	E	R
									d	n	-	-

= Preset counter activated

P	R	E	S	E	T	C	O	U	N	T	E	R
									d	n	0	5

= Preset counter deactivated


Preset counter function:

The preset counter allows the user to carry out a predefined number of sections in the 'Continuous stroke' sectioning mode.







Once the preselected number of sections has been carried out (= section counter reading '0'), the specimen head will stop automatically in the lower limit position.

The reference value (i.e. the value from which the preset counter counts downward) can be selected in the corresponding menu item.

In order to be able to set a reference value, the preset counter function must be active.

If the preset counter is deactivated (see diagrams above), press  to activate.

Now there are two options:

1. Increase or decrease the actual reference value by pressing  or .
2. Press  and  simultaneously in order to reload the former reference value ('0' when setting up the instrument) and then press either  or  individually in order to select the desired reference value. Depending on where you start from and where you want to go, method 1 or method 2 is quicker (see examples).

Example 1:

Actual preset counter reading = 50

Former reference value = 300

New reference value of 65 to be selected.

Method 1 is most convenient:

- Increase from 50 to 65 by pressing .




Example 2:

Actual preset counter reading = 50

Former reference value = 300

New reference value of 320 to be selected.

Method 2 is most convenient:

- Press  and  simultaneously to reload old reference value (300):
- Increase from 300 to 320 by pressing .

For further information on the preset counter, please refer to chapter 5.3.6, Item 4 'Preset counter'.

4. Quick-freezing at maximum specimen temperature* (instruments with specimen cooling only)



Press key until menu item 'Fast object freezing' is displayed:

F	A	S	T		O	B	J		F	R	E	E	Z	I	N
					O	F	F								

or

F	A	S	T		O	B	J		F	R	E	E	Z	I	N
					O	N									



Press lock/unlock key to activate or deactivate (ON/OFF).

5. Real time



Press key until menu item 'Time' is displayed:

T	I	M	E												

- Use arrow key (or) to set real time. Setting minutes as well as hours in 1-minute steps. Holding arrow button increases scrolling speed!

6. Starting time of automatic defrost cycle:



Press key until menu item 'Defrost time' is displayed:

D	E	F	R		T	I	M	E							

(Time on display = start time of defrost cycle)

- Use arrow keys (or) to select the desired defrost start time.

*) with 90° prism - see also chapter 5.5.2.

The automatic defrost cycle takes place once every 24 hours at the selected defrost time.

7. Duration of defrost cycle:

Press key until menu item 'Defrost period' is displayed:



D	E	F	R	O	S	T		P	E	R	I	O	D		
C	H	A	M	B	E	R	:								

- Use defrost keys (or) to adjust defrost time. (Only if necessary - see below).



Important information for setting the defrost parameters

Starting time of defrost cycle:

We recommend to program the automatic defrost cycle for a time outside regular working hours as a period of 4 hours should pass after the defrost cycle before work with the instrument is resumed (see also chapter 5.7.1 'Automatic chamber defrost cycle').

Defrost cycle duration:

The duration of the chamber defrost cycle is set to 8 minutes in factory. This setting should only be changed, if the evaporator is not completely de-iced during the 8-minute cycle. In such cases, increase the defrost cycle duration gradually until the the evaporator is ice-free after defrosting. The selected defrost cycle duration is valid for both automatic and manual chamber defrost cycle.

5. Operation

5.3.5 Status display

Each individual parameter is displayed in a certain area of the display screen.

Upper line:

In the menu (see chapter 5.3.4): indication of selected menu item.

Standard indication: Chamber temperature (instruments with specimen cooling: chamber and specimen temperature)

Standard indication upper line:

Instruments with chamber and specimen cooling

C	T	-	3	0	°	C													
■	■	H	O	M	E													❄	❄

Instruments with chamber cooling only

■	■	H	O	M	E														❄ -

Upper line

Lower line

1	2	3	4	5	6	7	8	9	10	11	12	13	14	15	16
1	2	3	4	5	6	7	8	9	10	11	12	13	14	15	16

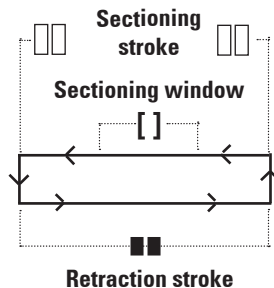
Digits 1 and 2

Digits 3 - 6

Digits 7 - 16

indicate sectioning stroke position:

- □□ Sectioning stroke (outside sectioning window)
- ■: Retraction stroke
- []: Sectioning stroke (inside sectioning window)



indicate coarse feed position:

- Rear limit position: **HOME**
- Front limit position: **STOP**

Indication of 'malfunction' or 'handwheel locked':

- Microtome plug loose, implausible values etc.: **????**
- Handwheel is locked: **LOCKED**

Indication 'LOCKED' completely overlays digits 3 through 16, i.e. while 'LOCKED' is displayed, no other parameters will be displayed in digits 3 - 16 of the lower line.

- Further indications: see chapter 6.1 'Error messages indicated in the display screen'

indicate the following parameters:

- Refrigeration status:
Digit 15 = cryochamber
Digit 16 = specimen
Meaning of refrigeration symbols:

□ -	Refrigeration OFF
□ ❄	Refrigeration ON
□ ❄	Defrosting active



- Section thickness (set value)
- Section counter (actual value)
- Indication of total section thickness (actual value)
- Preset counter

Digits 7 - 16:

Scroll via arrow buttons to display individual parameters

5.3.6 Indication of refrigeration state, section thickness setting and counters

These parameters can be displayed via the arrow keys.

When pressing , the parameters are displayed in the sequence listed on this page; when pressing , they are displayed in reverse order. The display can be scrolled continuously, i.e. after the last parameter the display will automatically start again with the first.



1. Refrigeration state

C	T	-	3	0	°	C			O	T	-	3	5	°	C
■	■	H	O	M	E									*	*

Meaning of the refrigeration symbols (asterisks):
--> see chapter 5.3.5 'Status indication'.

2. Section thickness

C	T	-	3	0	°	C			O	T	-	3	5	°	C
									μ	0	1	0	.	0	

The sectioning thickness is set with th  or  key (see chapter 5.4.7 'Setting the section thickness').

3. Section counter

C	T	-	3	0	°	C			O	T	-	3	5	°	C
									Σ	n	0	0	0		

Once displayed (via arrow keys), the section counter can be set to '0' at any time.

- To set to '0' pres .

If the section counter is not set to '0' by the user at some point, sections are counted up to '999' at which point the counter automatically switches back to '0'.

4. Total section thickness counter

C	T	-	3	0	°	C			O	T	-	3	5	°	C
									Σ	μ	0	0	0	0	.0

Can also be set to '0' at any time (via  key).

If the total section thickness indication is not set to '0' manually, the instrument counts up to maximum 9999.5 μm at which point the counter will automatically switch back to '0'.


This indication shows the total thickness of all sections carried out since the counter was last set to '0'. (All sections, in sectioning and trimming mode, are counted).

5. Preset counter

C	T	-	3	0	°	C			O	T	-	3	5	°	C
									d	n	0	5	6		

Setting preset counter to '0':

Press  key.

 can also be pressed while the continuous sectioning mode is in motion; in this case the preset counter is set to '0' and sectioning stops upon reaching the lower limit position.

After it has been set to '0', the preset counter is inactive.

Reloading the former reference value:

Press  and  simultaneously.

Reloading the former reference value is possible also while the continuous sectioning mode is in motion:

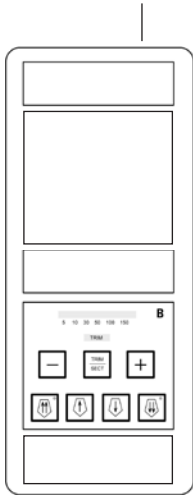
Upon pressing both arrow keys, the instrument continues sectioning without interruption, starting to count down from the old reference value.

5. Operation

5.4 Control panel 2

Instruments without sectioning motor

In instruments without sectioning motor, control panel 2 only consists of functional area B (see below)



B

Functional area B:

- Coarse feed
- Trimming
- Section thickness selection

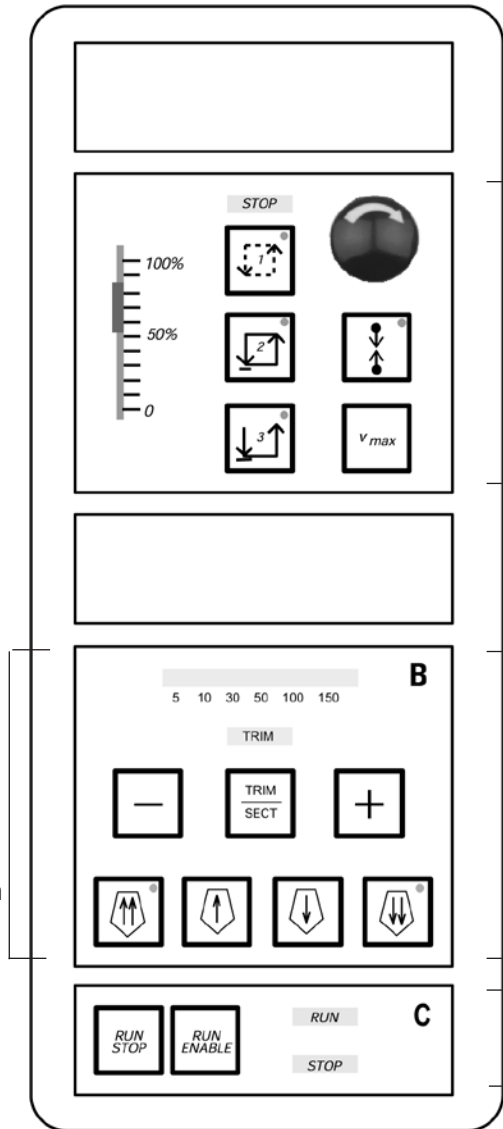
Instruments with sectioning motor

In instruments with sectioning motor, the control panel is equipped with three functional areas: A, B and C (see large diagram).

A

Functional area A:

- Sectioning modes
- Sectioning window
- Sectioning speed
- Emergency stop function



B

Functional area B:

- Coarse feed
- Trimming
- Section thickness selection

C

Functional area C:

- Start / Stop sectioning

Functional areas A and C - Instruments with sectioning motor only

5.4.1 Selecting a sectioning mode / start and stop sectioning

Three different sectioning modes can be selected for motorized sectioning:



Sectioning mode 1 - Intermittent stroke:
The specimen head travels up and down as long as the RUN/STOP and RUN/ENABLE keys are pressed simultaneously or as long as the footswitch is depressed.



Sectioning mode 2 - Continuous stroke:
The specimen head travels up and down until it is stopped by pressing RUN/STOP or RUN/ENABLE or by depressing the footswitch.



Sectioning mode 3 - Single stroke:
The specimen head carries out one sectioning stroke and then stops in the lower limit position.

Activating a sectioning mode

Press one of the three sectioning mode keys described above. While a sectioning mode is active, the LED in the corresponding key will be illuminated.

Start / stop motorized sectioning

Sectioning mode 1 - Intermittent stroke:

- Simultaneously press and hold RUN/STOP and RUN/ENABLE or depress and hold footswitch.
- To stop the sectioning stroke, release the keys or the footswitch:
The specimen head stops immediately.

Sectioning mode 2 - Continuous stroke:

- Simultaneously press and release RUN/STOP and RUN/ENABLE or depress and release footswitch.
- To stop sectioning:
Press and release RUN/STOP or RUN/ENABLE or depress and release the footswitch:
The specimen head stops upon reaching the lower limit position.

Sectioning mode 3 - Single stroke:

- Simultaneously press and release RUN/STOP and RUN/ENABLE or depress and release footswitch.
- The instrument carries out one complete section / retraction stroke and the specimen head stops upon reaching the lower limit position.

While sectioning is in motion, LED 'RUN' is illuminated.

While the sectioning motor is deactivated, LED 'STOP' is illuminated.

Both LEDs are located in functional area C.

5. Operation

Functional areas A and C - Instruments with sectioning motor only

5.4.2 Setting the sectioning window

The term 'Sectioning window' stands for a different (slower) speed setting in that part of the sectioning stroke where the specimen is actually cut, while the remaining sectioning stroke (above and below the specimen) as well as the retraction (return) stroke are carried out at a higher speed level (time-saving feature).

If a sectioning window is set, speed inside the window is as set on the control panel. Outside the sectioning window the specimen head travels at a proportionately higher speed.



Always set the sectioning window while in the sectioning stroke (specimen moves downward). Setting the window in retraction stroke (specimen travels upward) is not possible.

- Position lower edge of specimen approx. 3 mm above the knife edge (rotate hand-wheel clockwise).



Press sectioning window key.

- Position upper edge of specimen just below the knife edge (continue to rotate the hand-wheel clockwise).



Press sectioning window key once more.

The value has been stored when the LED in the sectioning window key lights up briefly.

If the LED flashes, the value has not yet been stored, because the user has tried to set a window margin outside the possible window range (the area in which the sectioning window can be set is slightly smaller than the total section stroke).

- In that case, repeat the step in question.



The sectioning window cannot be deleted. If need be, it can be set to maximum size (i.e. almost the entire sectioning stroke will be carried out at one and the same speed).

Every time after the instrument is disconnected from mains, the sectioning window is set to maximum size upon switching back on. This also applies when the instrument is switched on for the first time.

Functional areas A and C - Instruments with sectioning motor only

5.4.3 Selecting sectioning speed

- Sectioning speed is selected via the sliding potentiometer. Speed can be changed while sectioning is in motion.

Caution when working in continuous mode:

If the slider is set to '0', the sectioning motion stops, however, the actual sectioning mode is still active - just operating at '0' speed.

If the slider is accidentally moved, sectioning will be resumed! - Risk of injury!

Therefore:



Do not interrupt sectioning / trimming by setting the sliding potentiometer to zero speed!
See also safety instruction in Chapter 2.3.6 'Motorized sectioning'.

Vmax key

As long as the button is pressed, the sectioning motion is carried out at maximum speed (210 mm/s).

While Vmax is active, the sectioning window is inactive.

When the Vmax key is released, the sectioning window becomes active again.

5.4.4 Emergency stop

- Activate by:
 - either pressing the emergency stop button forcefully (must lock in position),
 - or depressing the footswitch forcefully.

Either way, sectioning is interrupted at once.

In both cases, the red **STOP** LED in functional area A lights up, indicating that the emergency stop function has been activated. Simultaneously all 3 sectioning modes are deactivated (= all 3 LEDs off).

- To deactivate the emergency stop function, rotate the button in the direction of the arrow until it unlocks and slips upward into its original position.

As soon as the emergency stop button has been unlocked, the red **STOP** LED is extinguished.

- If the emergency stop function has been activated with the footswitch, unlocking is not necessary.

As soon as the footswitch is released, the red **STOP** LED is extinguished.

- To continue work, select one of sectioning modes 1 - 3 and restart the sectioning motion.

See also chapter 2.2.3 'Safety - Emergency stop function' for further information on the emergency stop.

5. Operation


Functional area B - all models

5.4.5 Coarse feed keys

The four coarse feed keys in functional area B function as follows:




Coarse feed 'fast backward'
- Travelling speed 1,000 $\mu\text{m/s}$

- Press  key to activate. Specimen head travels backward (= away from knife):
 - a. until it reaches the rear limit position,
 - b. until it is stopped by pressing one of the coarse feed keys (to stop the function, any of the four coarse feed keys can be pressed).



Coarse feed 'slow backward'
- Travelling speed 500 $\mu\text{m/s}$

- To start, press  and hold. Specimen head travels backward (= away from knife) as long as the key is held.




LED 'HOME' (located in key 'Coarse feed fast backward')

As long as the backward coarse feed (both fast and slow) is in motion, the 'HOME' LED is illuminated.

Upon reaching the rear limit position, the 'HOME' LED starts flashing and the display in control panel 1 reads 'HOME'.




Coarse feed 'fast forward'
- Travelling speed 1,000 $\mu\text{m/s}$

- To activate the function, press  and hold. The specimen head travels forward (= towards the knife) as long as the key is held.



Coarse feed 'slow forward'
- Travelling speed 500 $\mu\text{m/s}$

- To activate the function, press  and hold. The specimen head travels forward (= towards the knife) as long as the key is held.



'STOP'-LED (located in key 'Coarse feed fast forward')

As long as the forward coarse feed (both fast and slow) is in motion, the 'STOP' LED is illuminated.

Upon reaching the front limit position, the 'STOP' LED starts flashing and the display in control panel 1 reads 'STOP'.

Functional area B - all models

5.4.6 Trimming and sectioning functions-switching between trimming and sectioning



Press this key to alternate between the two functions.

TRIM

illuminated:

Trimming mode is active


TRIM

off:

Sectioning mode is active.

Selecting trimming thickness

- Activate trimming mode
- Select trimming thickness (= sectioning thickness at which trimming is carried out) by pressing $\boxed{+}$ or $\boxed{-}$.

The selected thickness is displayed in the corresponding LED  :

5 10 30 50 100 150

Motorized trimming

- Select 'Continuous stroke' in functional area A.
- Activate trimming by pressing RUN/STOP and RUN/ENABLE (located in functional area C) simultaneously or by depressing the footswitch.
- To stop trimming press RUN/STOP or RUN/ENABLE or depress the footswitch again.

Trimming thickness can be changed while trimming is in motion by pressing $\boxed{+}$ or $\boxed{-}$.

5.4.7 Setting the section thickness

- Activate sectioning mode (TRIM off).

C	T	°	C	O	T	°	C
										μ	0	1	0	.	0

- Press $\boxed{+}$ or $\boxed{-}$ to select section thickness. Pressing one of these keys once makes the display in control panel 1 switch to section thickness indication (thickness value not yet being altered). Pressing $\boxed{+}$ or $\boxed{-}$ further starts to change the actual section thickness setting.

Selectable section thickness settings:

0	-	2 μm	in	0.5-μm	steps,
2	-	10 μm	in	1-μm	steps,
10	-	20 μm	in	2-μm	steps,
20	-	60 μm	in	5-μm	steps,
60	-	100 μm	in	10-μm	steps,
100	-	300 μm	in	50-μm	steps.

5. Operation

5.5 Daily operation of the instrument

- Select chamber temperature and, in instruments with specimen cooling, specimen temperature according to the type of specimen to be sectioned (see also chapter 6.3 'Reference chart for temperature settings').
- Do not continue with step 5.5.1 before the actual chamber / (specimen) temperature corresponds to the set value. This may take several hours (e.g. when operating the instrument for the first time or when the instrument had been switched off).

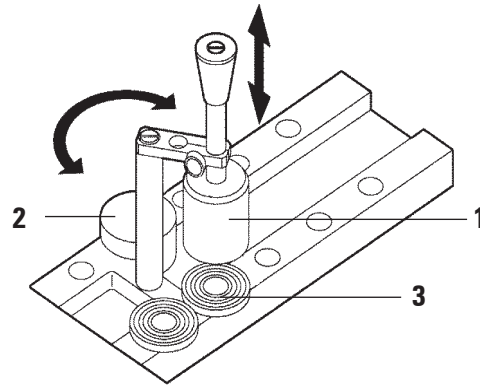


Prior to operating the instrument, please read and observe the following safety instructions:

- 'Integrated safety devices' (Chapter 2.2) .
- 'Handling microtome knives / blades' (Chapter 2.3.4)
- 'Knife guard / Handwheel lock' (Chapter 2.3.5)
- 'Motorized sectioning' (Chapter 2.3.6)
- 'Defrosting/ handling frozen tissue' (Chapter 2.3.7)
- 'Frozen instrument parts and accessories' (Chapter 2.3.8)
- 'Infectious / radioactive material' (Chapter 2.3.9)

5.5.1 Freezing specimens onto specimen discs with quick-freeze shelf and stationary heat extractor

- Size the specimen.
- Apply sufficient amount of embedding medium onto ambient temperature specimen disc.
- Inside the cryochamber, place the specimen onto the disc and orient.
- Place specimen disc with specimen into one of the 10 openings in the quick-freeze shelf (see below) and freeze.

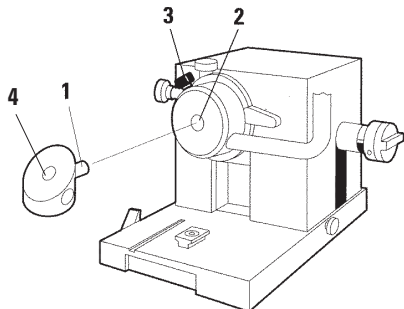


The freezing process can be sped up further by using the stationary heat extractor (1). Next to the low temperature stabilizer (2) ('Parking station'), 3 specimen discs (3) can be placed within its pivoting range.

- Place the heat extractor (1) directly onto the specimen surface. After approx. 30 seconds the specimen is completely frozen.

5.5.2 Freezing specimens onto specimen discs with 90° prism (Instruments w/ specimen cooling only)

In instruments with specimen cooling, the 90° prism, which is inserted into the specimen head, is an additional option to freeze specimens at maximum temperature.



Installing the 90° prism



- Loosen screw (3) at specimen head.
- Insert pin (1) of prism completely into receptacle (2) in the specimen head.

Important: the entire rear surface of the prism must fit tightly against the specimen head surface!



- Retighten screw (3) at specimen head.

The prism now forms a horizontal surface for quick specimen freezing.

Freezing specimens with the 90° prism

- Apply sufficient amount of embedding medium onto ambient temperature specimen disc, add specimen and orient.
- Insert specimen disc with specimen into the receptacle (4) of the prism.
- Press  to activate menu item 'Fast Object Freezing' and activate function by pressing  (see chapter 5.3.4 'Menu functions' item 4).

The specimen head is now automatically cooled down to the lowest temperature (-50 °C).

- Once the specimen is frozen, remove the disc from the prism and store it in the quick-freeze shelf until inserting it into the specimen head.
- Press  again to activate menu item 'Fast Object Freezing' and deactivate the function by pressing  once again (see chapter 5.3.4 'Menu functions' item 4).

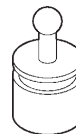
The specimen head temperature now automatically returns to the previously selected set value.

- Loosen screw (3) at specimen head and remove prism (1).
- Store prism inside the cryochamber.

5.5.3 Optional accessories for freezing specimens onto specimen discs and for removing frozen specimens

Mobile heat extractor

In addition to the stationary heat extractor (part of standard delivery), a mobile heat extractor is available as an optional accessory - see Appendix 'Ordering information' - accessories):



- Store heat extractor in chamber to precool.
- Place onto specimen in quick-freeze shelf.
- Remove as soon as specimen is frozen.

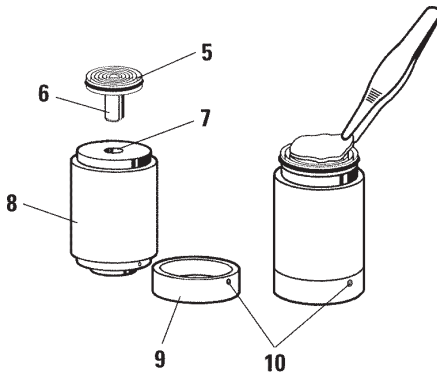
5. Operation

Thermoblock

The thermoblock makes it easy to remove frozen specimens from the specimen discs.



Do not store the thermoblock inside the cryochamber - store at room temperature and only place into the chamber for removing specimens from discs.



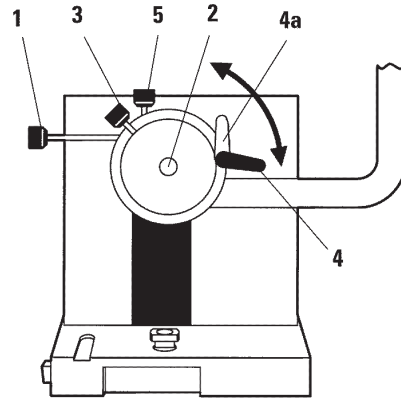
- Place cap (9) on one of the two ends so that the correct size opening (7) for the disc to be inserted is exposed.
- Insert pin (6) of specimen disc (5) into the opening (7).
- After about 20 seconds remove the frozen specimen from the specimen disc (use tweezers).
- If cap (9) fits too loosely, readjust with screw (10). Do not tighten screw too much!
- Once the specimen has been detached from the disc, remove the thermoblock from the cryochamber.

5.5.4 Inserting specimen discs into the specimen head

- Lock handwheel in upper position.



If a knife has already been inserted into the knife holder, cover knife edge with knife guard!



- Loosen clamping screw (3).
- Insert specimen disc in opening (2) (rear surface of specimen disc must fit tightly against surface of specimen head).
- Tighten clamping screw (3).

5.5.5 Specimen orientation

- Open clamping lever (4) --> (4a).
- Orient specimen via orienting screws (1) and (5).
- Retighten clamping lever (4).

5.5.6 Trimming / sectioning

Inserting the knife

- Insert the knife / disposable blade into the knife holder.
- Select appropriate clearance angle at knife holder (settings between 4° and 6° are suitable for the majority of applications).



For details on how to insert and adjust the knives, please refer to the separate instruction manual(s) for your knife holder(s). See also chapter 2.2 'Integrated safety devices' incl. subchapter 2.2.4 'Knife guard'.

Manual trimming

- Adjust knife / knife holder relative to specimen (see 'Knife holder' instruction manual).
- Unlock handwheel.
- Use motorized coarse feed to bring specimen close to knife (see chapter 5.4.5 'Coarse feed functions').
- Select desired section thickness (see chapter 5.4.7 'Setting the section thickness').
- Move anti-roll plate away from knife.
- Rotate handwheel to trim specimen down to desired sectioning plane.

Motorized trimming

- Adjust knife / knife holder relative to specimen (see 'Knife holder' instruction manual).
- Unlock handwheel.
- Center handwheel grip (See chapter 2.2.2).

- Use motorized coarse feed to bring specimen close to knife (see chapter 5.4.5 'Coarse feed functions').
- Move anti-roll plate away from knife.
-->Next steps: see chapter 5.4.6 'Trimming'.

Sectioning

- Adjust knife / knife holder relative to specimen (see 'Knife holder' instruction manual).
- Place anti-roll guide onto knife.
- Orient specimen, if necessary (see chapter 5.5.5 'Specimen orientation').
- Select desired section thickness (see chapter 5.4.7 'Setting the section thickness').
- Start sectioning at approx. 20 µm, reduce section thickness gradually until reaching the appropriate thickness for the type of specimen to be sectioned.
- Discard the first 2 to 3 sections cut at the desired section thickness.

When **sectioning manually**, rotate the handwheel evenly and at uniform speed.

For all details on **motorized sectioning**, please refer to chapters 5.4.1 to 5.4.4:

'Selecting a sectioning mode / Start and stop sectioning', 'Setting the sectioning window', 'Selecting sectioning speed', 'Emergency stop'.

For advice on appropriate **Sectioning temperatures** for different types of tissue, please refer to chapter 6.3 'Reference chart for temperature settings'.

5. Operation

5.6 Finishing work

5.6.1 Daily routine steps



Remove all specimens from the cryo-chamber and store safely! See also corresponding safety instructions in chapter 2.3.7 'Defrosting / handling frozen tissue'!

- Lock handwheel.
- Remove knife from knife holder, disinfect, dry (see chapter 7 'Disinfection, cleaning and maintenance') and store in the knife case.
- Use a cold brush to sweep frozen sectioning waste into the section waste tray.
- Empty section waste tray (dispose of sectioning waste according to the applicable regulations on disposal of special category waste!).
- If necessary, carry out a complete disinfection procedure (see chapter 7 'Disinfection, cleaning and maintenance').
- Remove all specimens from the chamber and store safely.
- Close sliding window.
- Switch off cryochamber illumination.
- Use lock/unlock key to lock display in control panel 1 (Display background dark = locked):

C	T	°	C	O	T	°	C
						1	2	:	0	0					



Do not switch off mains switch / automatic cutout (see chapter 5.2 'Switching on / fuses')!

5.6.2 Switching off the instrument for a longer period of time

If you do not plan to use the instrument for an extended period of time, it can be switched off. However, since this involves a lot of work (see below), it should be considered carefully whether switching off the instrument is really the better option.

If the instrument is switched off, the microtome must be removed. Then the microtome, cryo-chamber and all accessories must be disinfected and dried!

- For that purpose, follow the instructions in chapters 7.1 through 7.5.3.

5.7 Defrosting

The Leica CM3050 S has 3 (instruments without specimen cooling: 2) different defrosting options.

- Automatic chamber defrost cycle
- Manual chamber defrost cycle
- Specimen head defrosting (manual) - instruments with specimen cooling only.



**Read the safety instructions in chapter 2.3.7 'Defrosting / frozen specimens' !
Make sure to remove sensitive specimens from the cryochamber before the defrost cycle starts!**

5.7.1 Automatic chamber defrost cycle

The automatic defrost cycle is carried out once every 24 hours at the preselected time.

(For details see chapter 5.3.4 'Menu functions' - items 6 and 7).

During the defrost cycle, the corresponding asterisk is displayed inversely:

C	T	-	3	0	°	C			O	T	-	3	5	°	C
■	■	H	O	M	E									*	*

Once the defrost cycle is finished, the instrument automatically switches back to refrigeration.

Instruments with specimen cooling:

When defrosting starts, to avoid icing the specimen head is automatically adjusted to a temperature between -10 °C and -5 °C, i.e. the set temperature value is deactivated temporarily.

The specimen head refrigeration is automatically switched back on when:

- at least 4 hours have passed since the defrost cycle was completed;
- and the actual chamber temperature deviates less than 5 K from set value.

After the specimen head refrigeration has been switched back on, the specimen head temperature rises briefly to +10 °C and then decreases until it reaches the set value.

Switching specimen cooling back on immediately after defrosting:

As soon as the chamber defrost cycle is completed, specimen cooling can be switched back on immediately:

- Press  until menu item 'Set specimen temperature' is displayed:

S	E	T		T	E	M	P		O	T	-	3	5	°	C
														*	-

- Press .

S	E	T		T	E	M	P		O	T	-	3	5	°	C
														*	*

Specimen cooling is switched back on.




Despite the possibility of switching the specimen cooling system back on immediately after the automatic chamber defrost cycle, we recommend the automatic defrost cycle be set at a point in time when the entire procedure can be controlled automatically.

(See also information on menu items 6 and 7 in chapter 5.3.4 'Menu functions').


5. Operation

5.7.2 Manual chamber defrost cycle

In addition to the automatic defrost cycle, a manual chamber defrost cycle can be activated when necessary.

- Press  until menu item 'Set chamber temperature' is displayed:


S	E	T	T	E	M	P	C	T	-	3	0	°	C
												❄	-

- Press . A brief sound signals that the manual chamber defrost cycle has started:

S	E	T	T	E	M	P	C	T	-	3	0	°	C
												❄	-

The manual defrost cycle ends either when the selected defrost cycle duration is over or when a chamber temperature of -5 °C is reached.

To abort the manual defrost cycle:

- Go back to menu item 'Set chamber temperature' and press  again.

Instruments with specimen cooling:

When defrosting starts, to avoid icing the specimen head is automatically adjusted to a temperature between -10 °C and -5 °C, i.e. the set temperature value is deactivated temporarily. (same as with automatic defrost cycle - see chapter 5.7.1 'Automatic chamber defrost cycle')


10 seconds after the manual chamber defrost cycle has been completed, the specimen head refrigeration is switched back on, cooling down to the set value.

5.7.3 Defrosting the specimen head (instruments with specimen cooling only)

To activate specimen head defrosting:

- Press  until menu item 'Set specimen temperature' is displayed:



S	E	T	T	E	M	P	O	T	-	3	5	°	C
												❄	❄

- Press . A brief sound signals that the manual chamber defrost cycle has started:

S	E	T	T	E	M	P	O	T	-	3	5	°	C
												❄	❄

Specimen head temperature increases to between +20 °C and +30 °C for a duration of 10 minutes, after which it returns to the set value.

To abort specimen head defrosting:

- Press  until menu item 'Set specimen temperature' is displayed and press  once more.

6.1 Displayed error messages

The autodiagnosis function of the CM3050 S displays error messages in case of certain malfunctions.

1. Power failure

This error message is displayed after the instrument had been disconnected from mains, either due to power failure or because the mains switch had been turned off.

C	T	-	3	0	°	C			O	T	-	3	5	°	C	
			P	O	W	E	R			F	A	I	L	U	R	E

- To acknowledge the message, press  for about 5 seconds.

2. Coarse feed

Coarse feed malfunction has occurred.

C	T	-	3	0	°	C			O	T	-	3	5	°	C
			?	?	?	?									

This message is also displayed, if the coarse feed plug has not been reconnected properly after reinstallation of the microtome.

3. Temperature indications

C	T	-	#	#	°	C			O	T	-	3	5	°	C

or

C	T	-	3	0	°	C			O	T	-	#	#	°	C

If the # symbol is displayed instead of chamber or specimen temperature indication, the corresponding temperature sensor is broken or a short circuit has occurred.

4. Service

C	T	-	3	0	°	C			O	T	-	3	5	°	C
			S	E	R	V	I	C	E						



This message is displayed after a certain number of operating hours to remind the user to have a preventive maintenance done by Leica Technical Service.

This message is displayed only, if the instrument is not regularly serviced by Leica Technical Service.

We recommend a maintenance contract once the warranty period has expired!

Contact your local Leica sales office for details!

If one of the error messages listed under 2, 3 and 4 is displayed, please contact Leica Technical Service.

6.1.1 Other error indications

STOP (red) in control panel 2 is illuminated:

- Emergency stop button accidentally activated.
--> Unlock.
- Footswitch not properly connected.
--> Check connection - connect properly, if applicable.

6. Troubleshooting, applications tips

6.2 Potential problems - causes and remedies

Problem	Causes	Remedies
Frost on chamber walls and microtome	<ul style="list-style-type: none">- Cryostat is exposed to draft (open windows, doors, air-conditioning).- Sliding window has been open for a long period of time at a very low chamber temperature.- Frost build-up caused by breathing into the cryochamber.	<ul style="list-style-type: none">- Eliminate draft sources or change place of installation of the cryostat.- Close sliding window.- Consider wearing a mask.
Sections smear	<ul style="list-style-type: none">- Specimen not cold enough.- Knife and/or anti-roll plate not yet cold enough - sections melt.	<ul style="list-style-type: none">- Select lower temperature.- Wait until knife and/or anti-roll plate have reached chamber temperature.
Sections splinter Sections not properly flattened	<ul style="list-style-type: none">- Specimen too cold.- Static electricity / draft.- Specimen not cold enough.- Large surface specimen.- Anti-roll plate poorly adjusted.- Anti-roll plate poorly aligned relative to knife edge.- Wrong clearance angle selected.- Knife blunt or damaged.	<ul style="list-style-type: none">- Select higher temperature.- Eliminate cause.- Select lower temperature.- Trim specimen parallel; increase section thickness.- Readjust anti-roll plate.- Align correctly.- Set correct clearance angle.- Use different part of knife or replace knife.
Sections not properly flattened despite correct temperature and correctly aligned anti-roll plate	<ul style="list-style-type: none">- Knife and/or anti-roll plate dirty.- Edge of anti-roll plate damaged.- Blunt knife.	<ul style="list-style-type: none">- Clean with dry cloth or brush.- Replace anti-roll plate.- Use different part of knife or replace knife.

6. Troubleshooting, applications tips

Problem	Causes	Remedies
Sections curl on anti-roll plate.	<ul style="list-style-type: none">- Anti-roll plate does not protrude far enough beyond the knife edge.	<ul style="list-style-type: none">- Readjust correctly.
Scraping noise during sectioning stroke and specimen return stroke.	<ul style="list-style-type: none">- Anti-roll plate protrudes too far beyond the knife edge and is scraping against the specimen.	<ul style="list-style-type: none">- Readjust correctly.
Ondulated sections.	<ul style="list-style-type: none">- Knife damaged.- Edge of anti-roll plate damaged.	<ul style="list-style-type: none">- Use different part of the knife or replace knife.- Replace anti-roll plate.
Chatter marks form during sectioning.	<ul style="list-style-type: none">- Specimen insufficiently frozen onto specimen disc.- Specimen disc not clamped tightly enough.- Specimen holder ball joint not clamped.- Knife not clamped tightly enough.- Selected section thickness too thick - specimen has come off the specimen disc.- Specimen very hard and inhomogeneous.- Blunt knife.- Knife profile inappropriate for the type of specimen to be sectioned.- Wrong clearance angle.	<ul style="list-style-type: none">- Refreeze specimen onto disc.- Check disc clamping.- Check ball joint clamping.- Check knife clamping.- Refreeze specimen onto disc.- Increase section thickness; if possible, reduce specimen surface.- Use different part of knife or replace knife.- Use knife with a different profile.- Readjust clearance angle setting.
Condensation forms on anti-roll plate and knife during cleaning.	<ul style="list-style-type: none">- Brush, forceps, cloth or other cleaning item too warm.	<ul style="list-style-type: none">- Accessories and cleaning material to be used pre-cooled only. - Store on storage shelves inside the cryochamber.

6. Troubleshooting, applications tips

Problem	Causes	Remedies
Anti-roll plate damaged after adjustment.	<ul style="list-style-type: none">- Anti-roll plate protrudes too far beyond the knife edge. Adjustment was done in the direction of the knife.	<ul style="list-style-type: none">- Replace anti-roll plate; in future, lift away from the knife when aligning.- Handle anti-roll plate more carefully.
Thick/thin sections.	<ul style="list-style-type: none">- Wrong temperature for the tissue to be sectioned.- Knife profile inappropriate for the specimen to be sectioned.- Ice build-up on the knife back.- Handwheel rotation not uniform or inappropriate rotation speed.- Knife not clamped tightly enough.- Specimen disc not clamped correctly.- Embedding medium poured onto cold specimen disc; specimen comes off the disc once frozen.- Blunt knife.- Incorrect clearance angle.- Specimen dried out.	<ul style="list-style-type: none">- Select correct temperature.- Wait until correct temperature has been reached.- Use knife with different profile (c or d) or possible switch to disposable blade system.- Remove ice.- Adapt speed.- Check knife clamping.- Check disc clamping.- Place embedding medium on luke-warm specimen disc, inside the cryochamber place the specimen onto the disc and freeze in quick-freeze shelf.- Use different part of knife or replace knife.- Set correct clearance angle.- Prepare new specimen.
Tissue sticks to the anti-roll plate.	<ul style="list-style-type: none">- Anti-roll plate too warm or incorrectly adjusted.- Static electricity.- Fat on corner or edge of anti-roll plate.- Knife rusty.	<ul style="list-style-type: none">- Cool or readjust anti-roll plate.- Eliminate cause.- Remove fat (alcohol).- Remove rust.
Flattened sections curl up as soon as anti-roll plate is lifted from the knife.	<ul style="list-style-type: none">- Static electricity or draft.- Anti-roll plate too warm.	<ul style="list-style-type: none">- Eliminate cause.- Cool anti-roll plate.

6. Troubleshooting, applications tips

Problem	Causes	Remedies
Sections tear.	<ul style="list-style-type: none">- Temperature too low for the tissue to be sectioned.- Knife blunt, dirty, dusty, frosted or rusty.- Upper edge of anti-roll plate damaged.- Hard particles in the tissue.- Rear face of knife dirty.	<ul style="list-style-type: none">- Select higher temperature and wait for the new temperature to be reached.- Eliminate cause (--> see details on individual problems).- Exchange anti-roll plate.- If application permits, section at lower plane.- Clean.
Inconsistent or insufficient specimen feed.	<ul style="list-style-type: none">- Microtome was not completely dry when refrigeration was switched on; ice build-up inside the micrometer mechanism.- Microtome defective.	<ul style="list-style-type: none">- Remove microtome from chamber and dry - possibly with hairdryer (hairdryer <u>only to be used outside the cryochamber!</u>) or at ambient temperature.- Call Technical Service.
Specimen disc cannot be removed.	<ul style="list-style-type: none">- Specimen disc stuck to quick-freeze shelf or specimen head due to moisture on underside of specimen disc.	<ul style="list-style-type: none">- Apply strong alcohol to contact point or heat the specimen head.
Cryostat inoperational.	<ul style="list-style-type: none">- Mains plug not properly connected.- Automatic cut-out has been triggered.	<ul style="list-style-type: none">- Check mains plug connection.- Reconnect automatic cut-out (switch instrument back on).
Sectioning motor inoperational.	<ul style="list-style-type: none">- Footswitch not connected.- Automatic cut-out of sectioning motor has been triggered.- Motor defective.	<ul style="list-style-type: none">- Connect footswitch.- Reconnect automatic cut-out (push inwards until it locks in place).- Call Technical Service.
No or insufficient refrigerating performance.	<ul style="list-style-type: none">- Stopper not placed properly into drain in bottom of cryo-chamber.- Compressor defective.- Leak in cooling system.	<ul style="list-style-type: none">- Close drain with stopper.- Call Technical Service.- Call Technical Service.

6. Troubleshooting, applications tips

6.3 Reference chart for temperature settings (in minus °C)

Tissue	10 - 15	15 - 25	25 - 50
Adrenal	*	*	
Bone marrow		*	
Brain		*	
Bladder			*
Breast - fatty			*
Breast - little fat		*	
Cartilage	*	*	
Cervical		*	
Fatty			*
Heart and vascular		*	
Intestinal		*	
Kidney			*
Laryngeal		*	
Lip		*	*
Liver			*
Lung			*
Lymphoid		*	
Muscular		*	
Nose			*
Pancreatic		*	
Prostate		*	
Ovarian		*	
Rectal		*	
Skin with fat			*
Skin without fat		*	
Spleenal or bloody tissue	*	*	
Testicular	*	*	
Thyroid		*	
Tongue			*
Uterus curettage	*		

Please note: The recommended temperature settings are based on long-term experience. However, they can only be guidelines for general orientation, as each individual specimen may require particular adjustments.

7.1 Safety instructions on disinfection and cleaning



When disinfecting the instrument, make sure to observe the following safety instructions:

- 'Disinfection and Cleaning' (Chapter 2.3.10)
- 'Handling microtome knives/blades' (Chapter 2.3.4)
- 'Defrosting / handling frozen tissue' (Chapter 2.3.7)
- 'Frozen instrument parts and accessories' (Chapter 2.3.8)
- 'Infectious / radioactive material' (Chapter 2.3.9)

7.2 Spray disinfection with Leica Cryofect

For practical spray disinfection, we recommend Leica Cryofect which is fully effective at temperatures in the negative range down to -20 °C.

- Set chamber temperature -20 °C or warmer.
- Remove specimens from the chamber and store safely.
- Carefully remove knife / blade from knife holder.
- Remove section waste tray from cryochamber and empty.
- Remove remaining section waste from cryochamber.
- Working accessories (brushes, specimen holders etc.) can be disinfected inside the cryochamber.
- Once the selected chamber temperature has been reached, spray Leica Cryofect on the surfaces and accessories to be disinfected.
- Allow to soak for 15 minutes.
- Use paper towels or another type of disposable cleaning cloths to wipe up disinfectant and remaining section waste.
- Dispose of paper towels together with section waste.
- If previously altered, set chamber temperature back to its former value.
- Put specimens back into the cryochamber.

7. Disinfection, cleaning and maintenance

7.3 Disinfection with conventional disinfectants

- Switch the instrument off.
- Carefully remove knife / blade as well as specimens and accessories from the chamber.
- Remove section waste from the chamber and dispose of it.
- Remove sliding window (see chapter 7.6 'Exchanging the fluorescent light lamp').
- Remove microtome (see chapter 7.5.1 'Removing the microtome').
- Allow the microtome to thaw, disinfect and allow to dry thoroughly.



Drying the microtome:

- **Use a hairdryer: dry and before re-installing into the chamber allow the microtome to cool down to room temperature.**
- **Allow to dry at room temperature (at least over night - longer, if necessary).**

- Disinfect and dry disassembled parts (accessories and tools).
- Disinfect chamber walls with commercial alcohol disinfectant.
- Place an adequate container underneath the drain tube at the right side of the instrument.
- Pull stopper out of chamber bottom and drain off disinfecting solution into the container.
- Put stopper back into drain in cryochamber.

- Allow cryochamber to dry thoroughly.
- Reinstall microtome (see chapter 7.5.3).
- Only when they are completely dry, reinsert the disinfected accessories / tools into the cryochamber.
- Reinsert the sliding window.
- Switch the instrument back on.
- Once a suitable chamber temperature has been reached, return the specimens to the cryochamber.

7.4 Cleaning

- When necessary, the instrument surfaces can be cleaned with mild commercial household cleaners.
- Surfaces which are potentially contaminated (infectious germs) should always be cleaned with alcohol disinfectants!

7. Disinfection, cleaning and maintenance

7.5 Removing / reinstalling the microtome

7.5.1 Removing the microtome



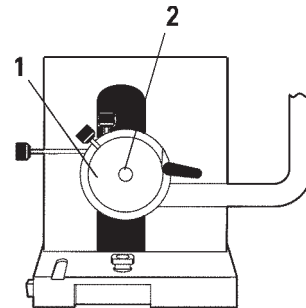
When removing the microtome make sure to observe the following safety instructions:

- 'Removing / reinstalling the microtome' (Chapter 2.3.11)
- 'Defrosting / handling frozen tissue' (Chapter 2.3.7)
- 'Infectious / radioactive material' (Chapter 2.3.9)
- 'Disinfection and cleaning' (Chapter 2.3.10)

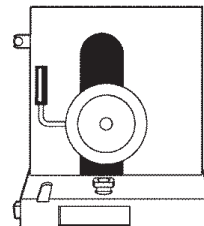
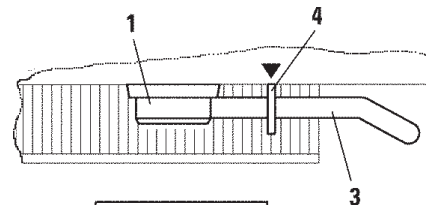
- Prior to removing the microtome, carry out preparation steps as per chapter 7.3 (switch instrument off, remove accessories etc.)

7.5.2 Disassembling the specimen head (instruments w/specimen cooling only)

- Use Allen key size 5 to remove screw (2) from the center of the specimen head (1).

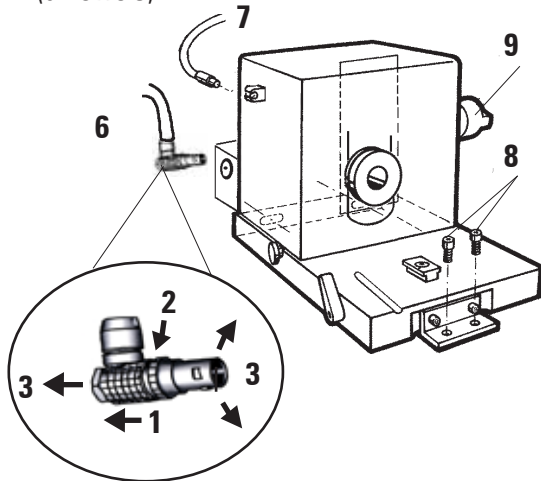


- Do not twist the refrigerating tube (see chapter 2.3.11 'Removing / reinstalling the microtome').
- Hold hook (4) (part of standard delivery) in one of your hands and with your other hand rest refrigerating tube (3) on hook.
- Insert hook (4) with refrigerating tube (3) into the opening above mark (▼).

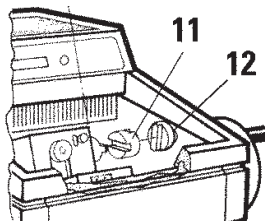


7. Disinfection, cleaning and maintenance

- Remove plug of temperature sensor (7).
- Remove plug of coarse feed motor:
Pull bushing backward (arrow 1) and hold.
Place your thumb between plug (6) and socket at the microtome (arrow 2).
To remove plug (6) from microtome, pull it away from the microtome while at the same time carrying out a slight jogging movement (arrows 3).



- Loosen screws (8) with Allen key.
- Lift microtome a little and pull slightly to the left.
- This loosens the plastic coupling (11) which connects the two axles.



- Remove the microtome from the chamber.

7.5.3 Reinstalling the microtome



When reinstalling the microtome make sure to observe the following safety instructions:

- **'Removing / reinstalling the microtome'** (Chapter 2.3.11)
- **Display message 'Dry Microtome'** (Chapter 2.3.12)

- Lock handwheel in lower position.
- Place microtome in chamber.
- Put one drop of cryostat oil per surface on the contact surfaces of plastic coupling (11) and handwheel coupling (12).
- Place plastic coupling (11) on handwheel coupling (12).
- Push microtome slightly towards the right until axle (9) fits tightly into coupling (11).
- Unlock handwheel.
- Adjust the parts into each other by rotating the handwheel slightly backward and forth.
- Lock handwheel again in lower position.
- Tighten screws (8).
- Reconnect plugs of coarse feed motor (6) and temperature sensor (7).
- Mount specimen head (in reverse order as described on previous page).
- Insert accessories (storage shelf, section waste tray etc.).
- Insert sliding window.
- Connect instrument to mains and switch back on.

7.6 Exchanging the fluorescent light lamp

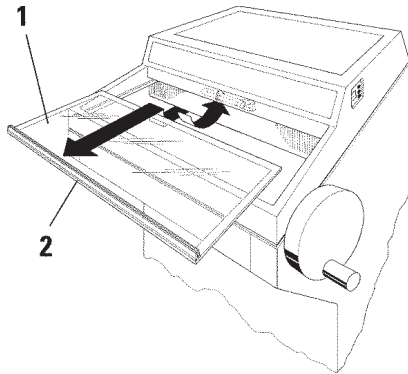


Prior to exchanging the lamp, please read and observe the following safety instructions:

- 'Maintenance' (Chapter 2.3.13)

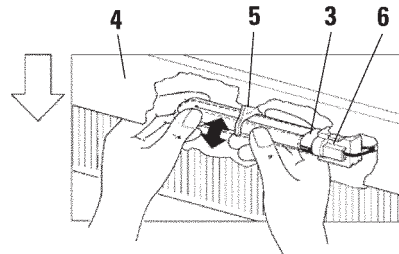
Removing the sliding window

- Hold sliding window (1) at grip bar (2), lift slightly and pull out towards yourself.



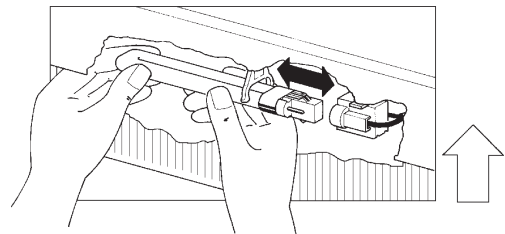
Removal

- The lamp (3) is located behind the glare shield (4).
- Carefully hold lamp with both of your hands. Slightly pull the lamp downward at the left side to remove it from fastening clip (5).
- Pull the lamp towards the left to remove it from its socket (6).



Installing the replacement lamp

- Hold the lamp in correct position (see drawing below) and push towards the right until it locks into the socket.
- Push the lamp slightly upwards until it locks into the clip.



- Put the sliding window back in place.
- Reconnect the instrument to mains and switch it back on.

8. Warranty and service

Warranty

Leica Biosystems Nussloch GmbH guarantees that the contractual product delivered has been subjected to a comprehensive quality control procedure based on the Leica in-house testing standards, and that the product is faultless and complies with all technical specifications and/or agreed characteristics warranted.

The scope of the warranty is based on the content of the concluded agreement. The warranty terms of your Leica sales organization or the organization from which you have purchased the contractual product shall apply exclusively.

Technical service information

If you require technical service or replacement parts, please contact your Leica sales representative or dealer who sold the product.

Please provide the following information:

- Model name and serial number of the instrument.
- Location of the instrument and name of the person to contact.
- Reason for the service call.
- Date of delivery.

Decommissioning and disposal

The instrument or parts of the instrument must be disposed of in compliance with the local laws.

9.1 Electrohydraulic height adjustment

An electrohydraulic lifting device for individual working height adjustment is available as an optional accessory for the CM3050 S cryostat series.

9.1.1 Designated use

The electrohydraulic height adjustment device has been designed exclusively for adjustment of the instrument working level to the individual height of the user.

It has been designed for use with the Leica cryostat series CM3050 S only and may under no circumstances be used to lift other instruments or persons.

Damage resulting from improper use of the product and/or faulty operation invalidates the warranty.

Leica will not assume liability for any such damage.

9.1.2 Standard delivery

Electrohydraulic height adjustment device for cryostat series CM3050 S, complete outfit, consisting of a U-shaped frame on four height-adjustable feet and a two-key control unit.

The height adjustment device is available in 2 voltages:

1. 230 – 240 V/ 50 Hz – order no. 14 0443 26147
2. 100 – 115 V/ 60 Hz – order no. 14 0443 26148

9.1.3 Safety instructions

Prior to operating the height adjustment device, make sure to read the present instruction manual. Pay special attention to the following safety instructions:



Prior to connecting the height adjustment device to mains, check to make sure that the nominal voltage and frequency indications on the device name plate correspond to the actual mains voltage in your lab!

Do not move the height adjustment device with the Leica CM3050S installed on the frame. If the place of installation needs to be changed, first take the Leica CM3050S down from the height adjustment device and then move both devices separately.

Never place your feet underneath the U-frame when lowering the height adjustment device! Risk of injury!

Only authorized Leica technical service engineers may carry out repairs on both the Leica CM3050 S and the height adjustment device. This applies especially to all work carried out on the hydraulic system of the height adjustment device.

9. Appendix

9.1.4 Installation

- Open the shipping box and remove all packing material including the Styrofoam pieces.
- Take the height adjustment device out of the box.
- At the place of installation, place the U-frame on the floor with the open side facing yourself. Adjust the U-frame parallel to the wall, maintaining a distance of approx. 10 cm between wall and U-frame.
- Push the (up) button to lower the height adjustment device to the lowest possible position.





When placing the instrument onto the U-frame, make sure the power cord does not get caught and thus crushed between U-frame and cryostat housing.

- In order to be able to move the instrument, use a fork wrench and unscrew the rollers on which the Leica CM3050 S moves by about 2 cm.
- Roll the cryostat onto the U-frame as far as it will go. The rear of the cryostat housing has to fit closely to the rear bar of the U-frame.
- Roll the cryostat onto the U-frame as far as it will go. The rear of the cryostat housing has to fit closely to the rear bar of the U-frame.
- Plug the height adjustment device into the mains socket. The unit is now ready for use.

9.1.5 Control keys



The control keys are located on top of the control unit (see photograph).




- To lift the instrument, press .
- To lower the instrument, press .

As long as a button is held, the instrument will go up or down until reaching the upper or lower limit.

9.1.6 Maintenance and care

- Protect the lifting pistons in the four legs of the height adjustment device against dust and water.
- Approximately every six months lubricate the legs with a thin coat of resin-free oil.
- Once every year have the height adjustment device checked by an authorized Leica service engineer.

9.1.7 Troubleshooting

1. Slight and uniform loss of height of the device in the course of several weeks is normal. Remedy:
Correct the loss of height by pressing the  button until the instrument is lifted back up to the desired working level.
2. The cryostat is in an inclined position due to an uneven upward movement of the lifting pistons. Difference of level among the four legs > 5 mm. Remedy:
Have the instrument travel once up and down over the entire height adjustment distance: press  until the instrument reaches the upper limit position and then  until the instrument reaches the lowest possible position. Then lift the instrument back to regular working height. Should the problem reoccur several times, call Leica Technical Service.
3. The height adjustment device does not reach the maximum upper level or the instrument lowers itself by a relatively large distance (> 5 cm) within a short time.
Remedy: Call Leica Technical Service.

9.1.8 Technical Data

Nominal voltage:	230 - 240 V	100 - 115 V
Nominal frequency:	50 Hz	60 Hz
Type of actuation:	Elektrohydraulik	
Total height of stroke:	230 mm	
Carrying power:	200 kp	
Dimensions:		
Width:	880 mm	(without control unit)
	1030 mm	(with control unit)
Depth:	555 mm	
Weight:	approx. 30 kg	

9. Appendix

9.2 Ordering information - accessories

Knife holder base.....	14 0419 26140
Knife holder CN.....	14 0419 33993
Knife support.....	14 0419 19426
Knife support.....	14 0419 19427
Anti-roll plate, assy.	14 0419 33981
Anti-roll plate, glass.....	14 0419 33816
Knife holder CE low prof.....	14 0419 33990
Knife holder CE high prof.....	14 0419 33991
Knife holder CE.....	14 0419 33992
Pressure plate rear HP, 22°.....	14 0502 29553
Pressure plate rear LP, 22°.....	14 0502 29551
Anti-roll plate, assy. 70mm.....	14 0419 33980
Anti-roll plate, assy. 70mm.....	14 0419 37258
Anti-roll plate, assy. 70mm.....	14 0419 37260
Anti-roll plate, glass.....	14 0419 33813
Anti-roll guide, assy.	14 0419 35693
Knife holder CE-TC.....	14 0419 32073
Specimen disc, 20mm.....	14 0370 08636
Specimen disc, 25mm.....	14 0416 19275
Specimen disc, 30mm.....	14 0370 08587
Specimen disc, 40mm.....	14 0370 08637
Specimen disc, 55mm.....	14 0419 26491
Specimen stage.....	14 0419 26750
Transfer block.....	14 0416 38207
Heat extractor.....	14 0443 26836
Thermal block.....	14 0398 18542
90° prism.....	14 0443 25949
Anti-static kit low-prof.....	14 0800 37739
Anti-static kit high-prof.....	14 0800 37740
Height adj.module CM3050S.....	14 0443 26148
Height adj. module CM3050S.....	14 0443 26147
Cryoembed.system cpl.set.....	14 0201 39115
Embed. well bar set 18mm.....	14 0201 39116
Embed. well bar set 24mm.....	14 0201 39117
Embed. well bar set 30mm.....	14 0201 39118
Freezing griddle/ elevated freezing block set.....	14 0201 39119

Embedding well bar 4x18mm	14 0201 39120
Embedding well bar 4x24mm	14 0201 39121
Embedding well bar 3x30mm	14 0201 39122
Specimen stage square 28mm	14 0201 39123
Specimen stage square 36mm	14 0201 39124
Ovewr-disc heat extractor	14 0201 39125
Bin for discs.....	14 0201 39126
Dispensing slides 8 pcs.	14 0201 39127
Case w/embedding systems.....	14 0201 40670
Easy Dip staining cnt. wt.....	14 0712 40150
Easy Dip staining cnt. pk	14 0712 40151
Easy Dip staining cnt.grn.....	14 0712 40152
Easy Dip staining cnt. yl.....	14 0712 40153
Easy Dip staining cnt. bl	14 0712 40154
Easy Dip staini. rack grey.....	14 0712 40161
Safety gloves size S	14 0340 40859
Safety gloves size M.....	14 0340 29011
OCT-Compound 125ml.....	14 0201 08926
Cryostat oil, type 407	14 0336 06100
Leica Cryofect 4x350ml.....	14 0387 42801

10. Decontamination Certificate (master)

Dear Customer,

Any product that is to be returned to Leica Biosystems or serviced on site, must be cleaned and decontaminated in the appropriate manner. Since it is not possible to decontaminate for prion diseases, such as CJD, BSE, CWD etc., equipment exposed to specimens containing prion diseases cannot be returned to Leica Biosystems for repair. On-site repair of prion contaminated equipment will only be conducted after the Field Service Engineer has been educated in the risks, instructed in the policies and procedures of the institution, and provided with personal protective equipment. Please fill out this confirmation carefully and enclose a copy with the instrument. Attach the confirmation to the outside of the flight case or hand it directly to the service technician.

Packages will not be opened, nor servicing commenced until the Company or service engineer have received a satisfactory certificate. Should returned goods be considered a hazard by the Company, they will be returned immediately to the customer at his/her expense. **Note:** Microtome knives must be in boxes. **Mandatory information:** Fields marked with * are mandatory. Depending on whether the instrument is contaminated, please also complete either section A or section B.

Nameplate information

Model (see nameplate)*

SN (see nameplate)*

REF (see nameplate)*

Tick Box A if applicable. Otherwise please complete all parts of B, providing further information as requested or appropriate.

A

Yes

This equipment has not been in contact with unfixed biological samples.

B

Yes

No

1 This equipment has been exposed internally or externally to hazardous materials as indicated below:

Blood, body fluids, pathological samples

Please provide further detail here:

Other biohazards

Chemicals/substances hazardous to health

Other hazards

Radioactivity

Yes

No

2 This equipment has been cleaned and decontaminated:

If yes, give details of the method:

Please provide further detail here:

If no**, please indicate why not:

** Such equipment must not be returned without the written agreement of Leica Biosystems.

Yes

No

3 The equipment has been prepared to ensure safe handling/transportation. Whenever possible, please use the original transportation case/box.

10. Decontamination Certificate (master)

Important - to avoid refusal of shipment:

Place one copy in the unit prior to packaging, or hand it over to the service engineer. Customer assumes all responsibility for the immediate return shipment of articles sent to Leica without proper decontamination documentation.

If you have any further questions, please call your local Leica organization.

Leica Internal Use: If applicable, note corresponding Job and RAN-/RGA-Number:

Job Sheet No.: _____ BU Return Authorization Number: _____ SU Return Goods Authorization: _____

Signature/Date*

Name*

Position*

eMail

Institute*

Department*

Address*

Phone*

Fax

Leica Biosystems Nussloch GmbH
Heidelberger Str. 17-19
69226 Nussloch, Germany

Phone: ++49 (0) 6224 143 0
Fax: ++49 (0) 6224 143 268
www.LeicaBiosystems.com



11. Information for the People's Republik of China

- Administrative Measures on the Control of Pollution Caused by Electronic Products -

部件名称 Name of the part	有毒有害物质或元素 Hazardous substances					
	铅 (Pb)	汞 (Hg)	镉 (Cd)	六价铬 (Cr ⁶⁺)	多溴联苯 (PBB)	多溴二苯醚 (PBDE)
印刷电路板 printed circuit boards	X	O	O	O	O	O
电子元器件 electronic components	X	O	O	O	O	O
机械部件 mechanical parts	X	O	O	X	O	O
光学元器件 optical components	X	O	X	O	O	O
电缆 cables	O	O	O	O	X	X
光源 light sources	O	X	O	O	O	O

- o : 表示该有毒有害物质在该部件中的含量均在SJ/T 11363-2006 标准规定的限量要求以下。
Indicates that the concentration of the hazardous substance in all materials in the parts is below the relevant threshold of the SJ/T 11363-2006 standard.
- x : 表示该有毒有害物质至少在该部件的某一材料中的含量超出SJ/T 11363-2006 标准规定的限量要求。
Indicates that the concentration of the hazardous substance of at least one of all materials in the parts is above the relevant threshold of the SJ/T 11363-2006 standard.

Note: The actual product may or may not include in all the part types listed above